

WH160AK-2 金属轴旋转式碳膜电位器

(WH160AK-2 ROTARY POTENTIOMETER WITH METAL SHAFT)

一般事项

General

□此规格适用于电子设备之可变电阻器

-This specification is applied to potentiometers used for electronic equipment.

□使用温度范围: -10°C~70°C

-Operating temperature: -10°C~70°C

特点

Features

- 长寿命, 低成本
- 手感柔和, 带开关
- 阻值线性多样化

- Long life model, low cost
- Better feeling, with switch
- Special tapers.

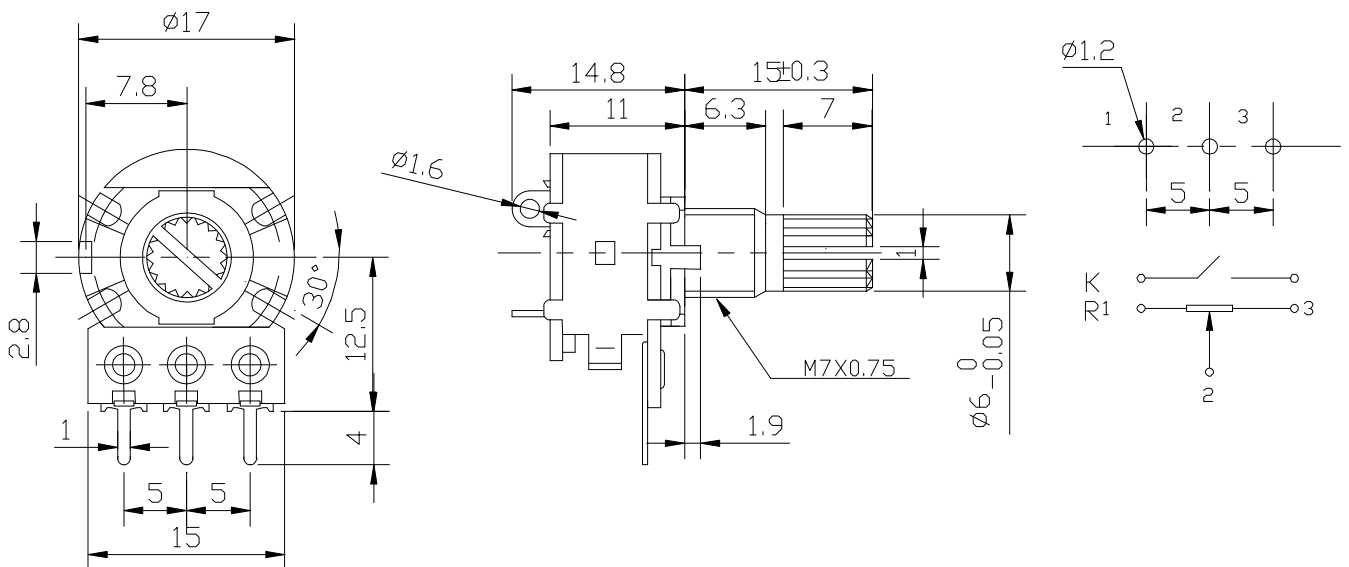
用途

Applications

□多媒体, 音箱, 功放等

-Multimedia, computer speaker, stereos amplifier etc

外形图及安装尺寸 OUTLINE DRAWING



性能说明 CHARACTERISTICS

项目 ITEM		规格 SPECIFICATION
电气性能 Electrical Characteristics	工作温度 Temp Range	-10℃~100℃
	额定功率 Rated Power	Curve B:0.125W Other curve B:0.063W
	最大工作电压 Max Operation Voltage	Curve B:AC 200V Other than B:AC 150V
	阻值范围 Resistance Range	200KΩ
	阻值允许偏差 Allow Desistance Tolerance	±20%(1MΩ or more30%)
	转动噪声 Rotational Noise	≤47mV
	终端电阻 Terminal Resistance	R≥250KΩ 0.1%R max 250KΩ>R>10KΩ 20Ωmax 10 KΩ≥R 10Ωmax
	电阻规律 Resistance Law	B
	双联同步误差 Tracking error	0~-40dB±3dB
	抗电强度 Dielectric	AC500V,1minute
	开关接触电阻 Switch contact resistance	Less than 20mΩ
	开关额定功率 Rated switching power	DC12V 1A
	绝缘电阻 Insulation Resistance	More than 100MΩ at DC500V
机械性能 Mechanical Characteristics	旋转力矩 Rotational Torque	2~20 mN.m (20~200gf.cm)
	总旋转角度 Total Rotational Angle	300°±5°
	开关寿命 Switch life	10,000 times
	旋转寿命 Rotary life	10,000 cycles
	止挡强度 Shaft Stopper Strength	3Kgf.cm/min
	轴推拉强度 Push Pull Strength	70 N
	开关操作力 Switch working force/torque	50~300gf.cm
	开关动作角度 Switch working angle	35°±5°
焊接 Soldering		温度 T≤260℃: 时间 t≤3s