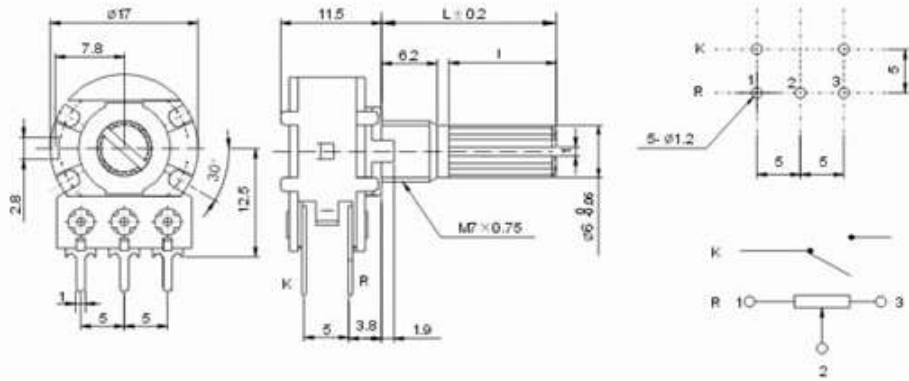
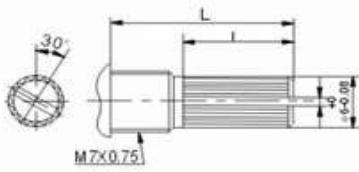


WH148-1AK-2

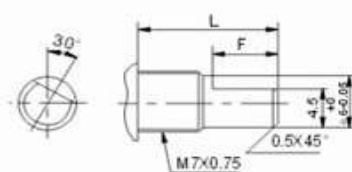


● 18T



L	15	20	25	30
l	7	12	12	12

F



L	15	20	25	30
F	7	12	12	12

## Mechanical characteristics: 机械性能

## WH148系列

Total rotation angle 总旋转角度	300°±5°
Rotation torque 旋转力矩	2~20mN.m(20~200gf.cm)
Shaft stop strength 止档强度	6 Kgf.cm
Push pull strength 轴推拉强度	60N
Click position 定位位置	Center detent or 10,20,40 position clicks

## Electrical characteristics: 电气性能

Total resistance 总阻值	5 K $\Omega$ ~2M $\Omega$
Resistance taper 电阻规律	A、B、C
Resistance tolerance 阻值偏差	±20%
Rotational noise 转动噪音	≤47mV
Residual resistance 残留电阻	R≥250 K $\Omega$ 0.1% max. of total resistance 250 K $\Omega$ > R > 10K $\Omega$ 20 $\Omega$ max. 10 K $\Omega$ ≥ R 10 $\Omega$ max.
Tracking error 双联同步误差	0~-40dB ±3dB
Rated wattage 额定功率	Curve B :0.125 W Other than B:0.063 W
Max, operating voltage 最高使用电压	Curve B :200V Other than B:150V
Dielectric 抗电强度	AC500V, 1 minute
Insulation resistance 绝缘电阻	More than 100M $\Omega$ at DC500V

## Durability: 耐久性能

Rotary life 旋转寿命	10,000 cycles
---------------------	---------------