

CERAMIC TRIMMER CAPACITOR - 6MM

TSC6 (F, S, R) SERIES

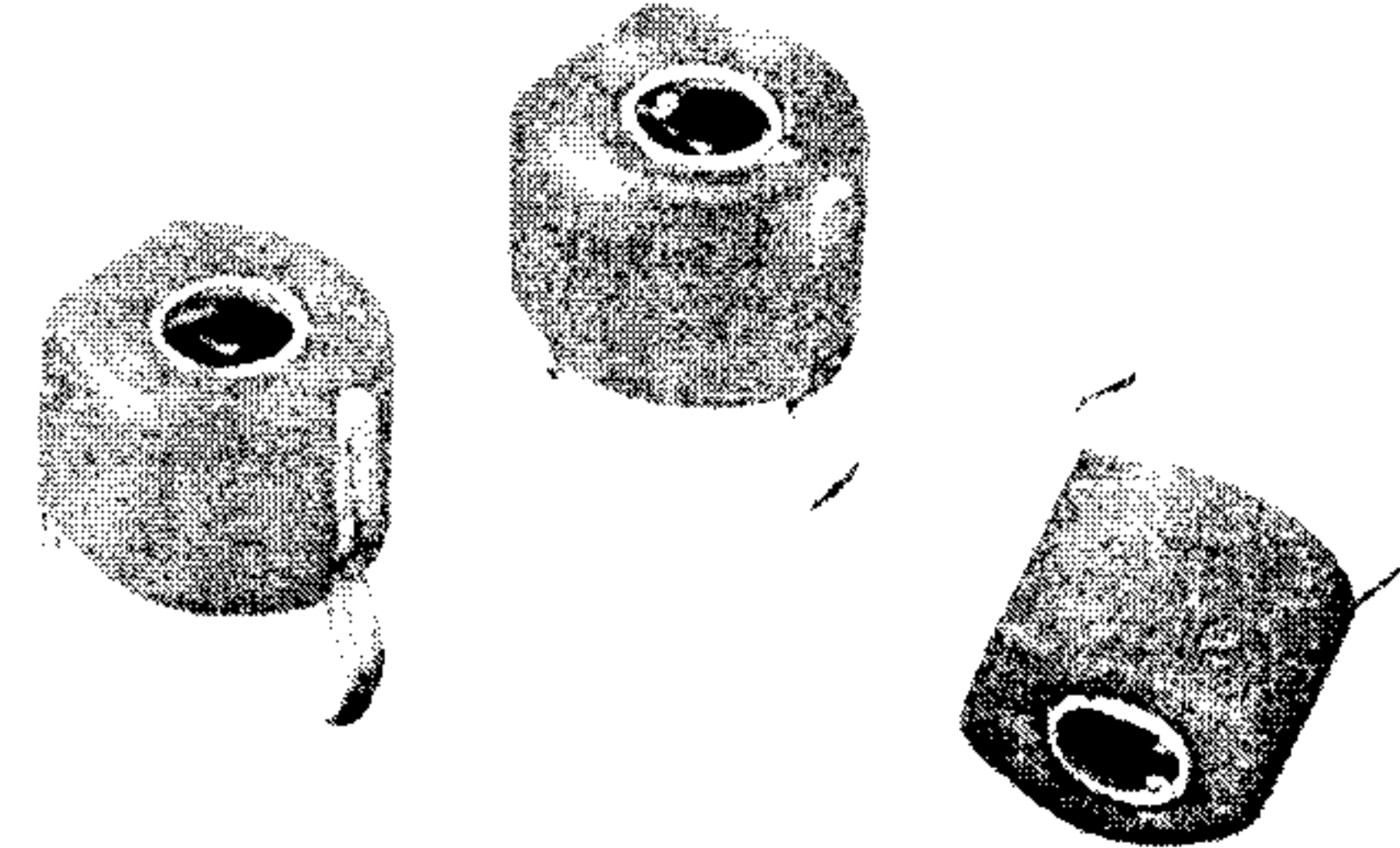
FEATURES

As well as applications to small sized electronic apparatus, this series is designed for easy handling and is available with a variety of adjustment method (top, bottom, side and double sides).

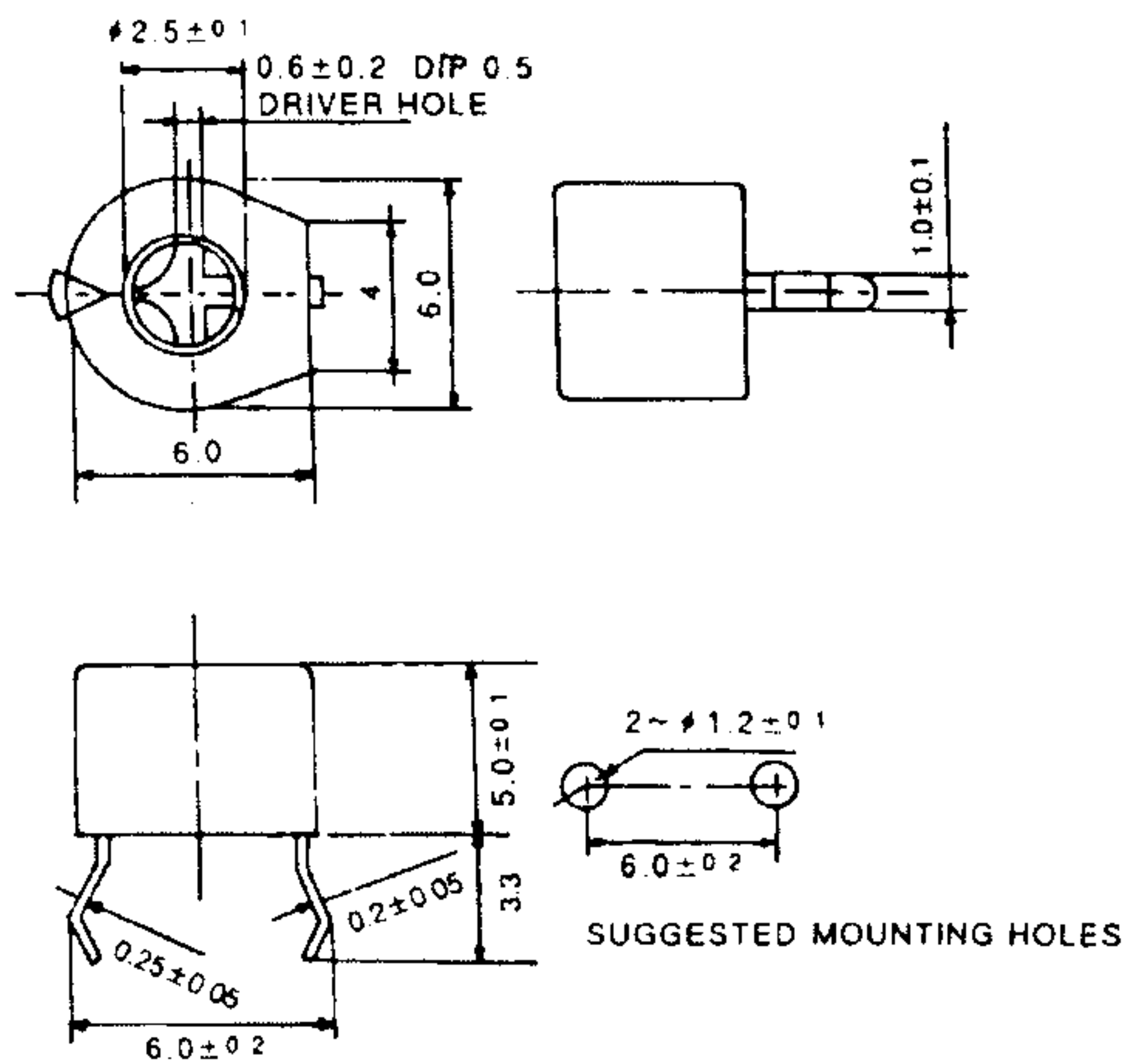
- wide mounting sizes and types of adjustment available
- lots of capacity ranges, 2pF through 90pF
- sturdy mechanical structure against vibration or shock

SPECIFICATIONS

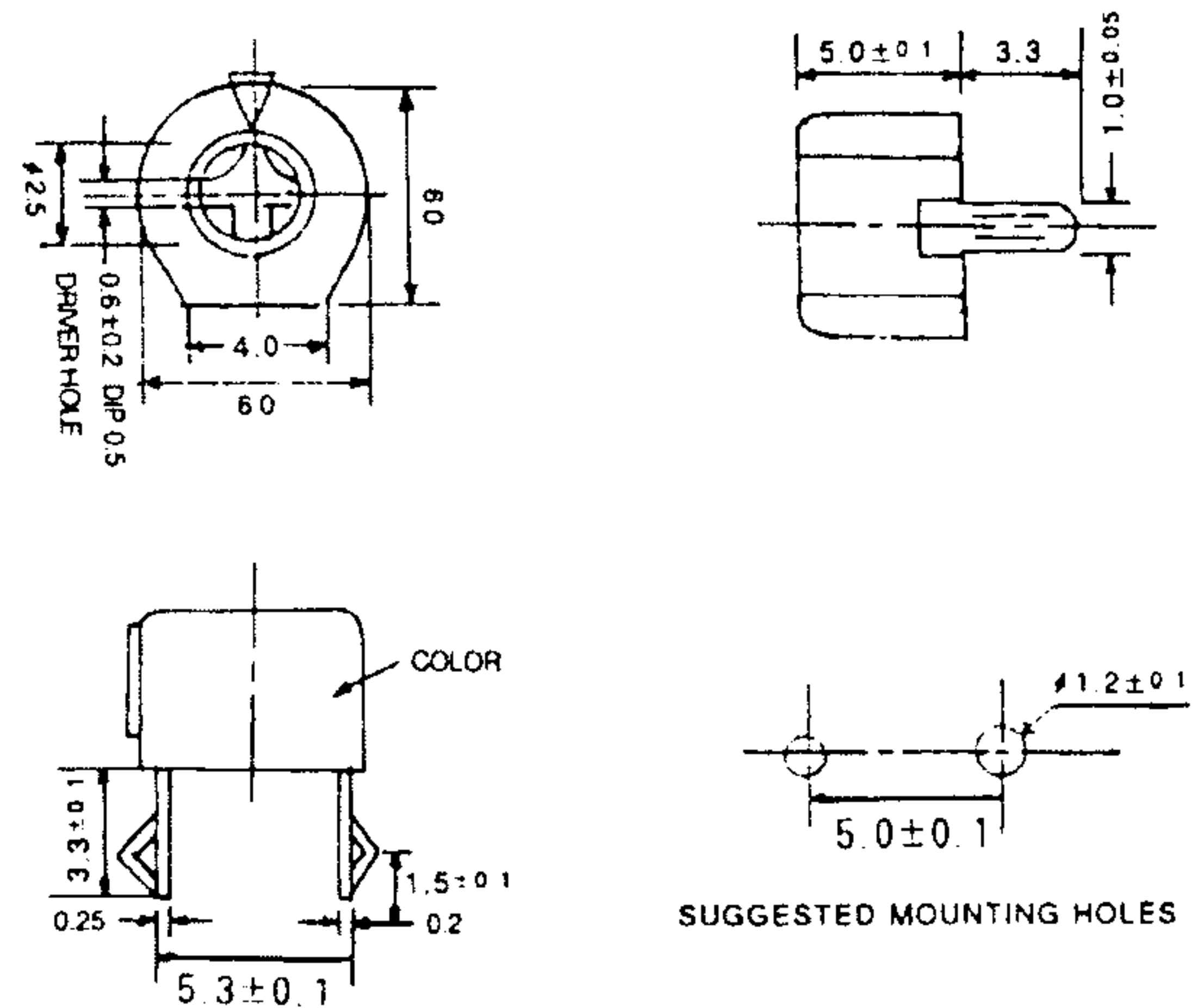
INSULATION RESISTANCE	10 MΩ at 250VDC
WITHSTAND VOLTAGE	400VDC
WORKING VOLTAGE	200VDC
ROTATION TORQUE	20 to 150 gr-cm
OPERATING TEMPERATURE	-30 C to +85 C



• FORMING TYPE

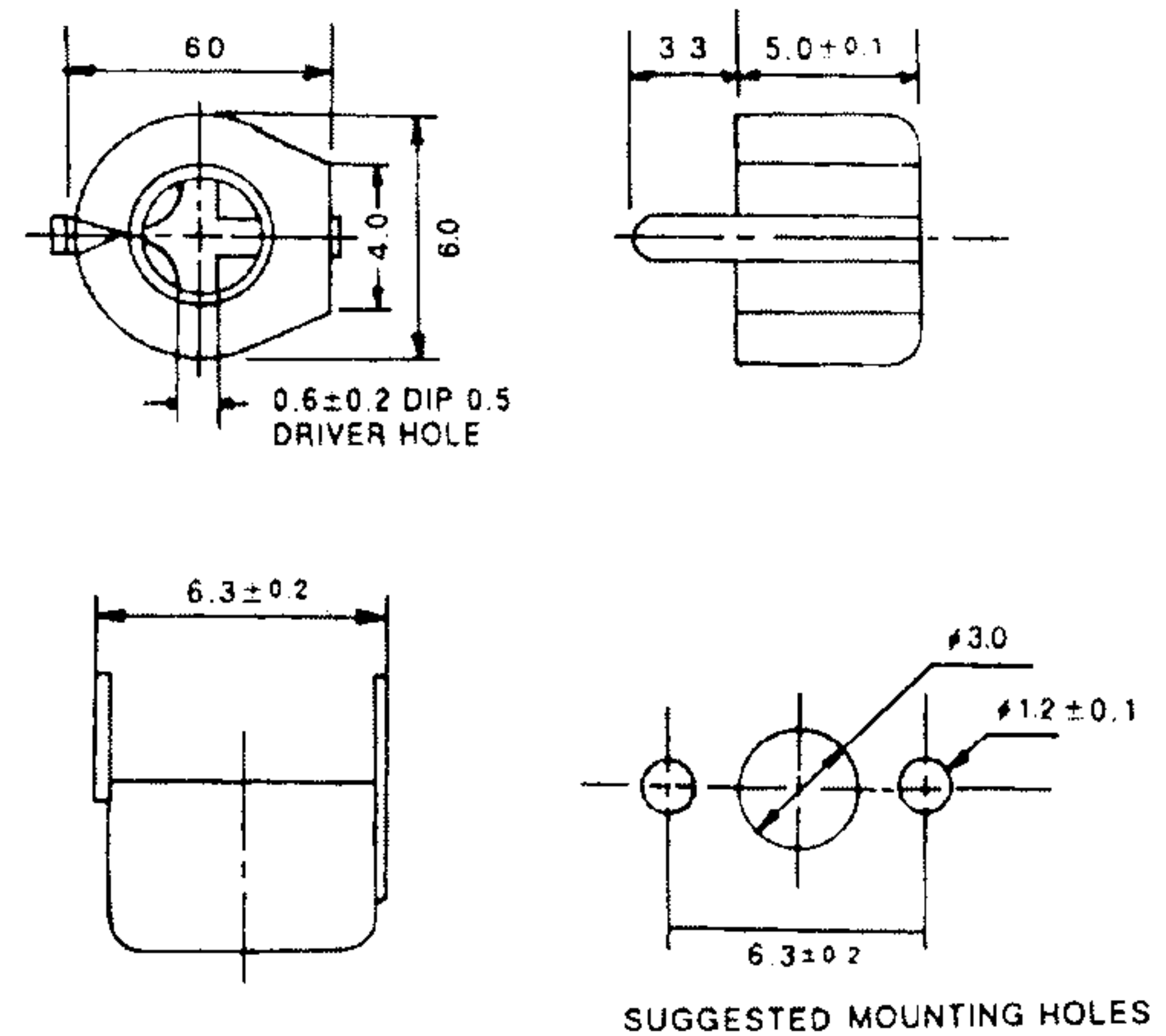


• STRAIGHT TYPE



UNIT: mm

• REAR ADJUSTING TYPE



PART NO.	MIN. CAP. (PF)	MAX. CAP. (PF)	TEMP. COEFF. PPM/C	Q FACTOR at 1MHz Cmax	COLOR
TSC (F,S,R)06-050	2.0 max	5 ⁺¹⁰⁰ ₋₀ %	NPO ±200	>500	BLUE
TSC (F,S,R)06-100	3.0 max	10 ⁺¹⁰⁰ ₋₀ %	N470 ±300	>500	WHITE
TSC (F,S,R)06-200	4.2 max	20 ⁺⁵⁰ ₋₀ %	N750 ±300	>500	RED
TSC (F,S,R)06-300	6.2 max	30 ⁺⁵⁰ ₋₀ %	N750 ±500	>500	GREEN
TSC (F,S,R)06-400	6.8 max	40 ⁺⁵⁰ ₋₀ %	N1200 +500	>300	YELLOW
TSC (F,S,R)06-500	9.8 max	50 ⁺⁵⁰ ₋₀ %	N1200 +500	>300	BROWN
TSC (F,S,R)06-600	10.2 max	60 ⁺⁵⁰ ₋₀ %	N1200 +500	>200	BROWN