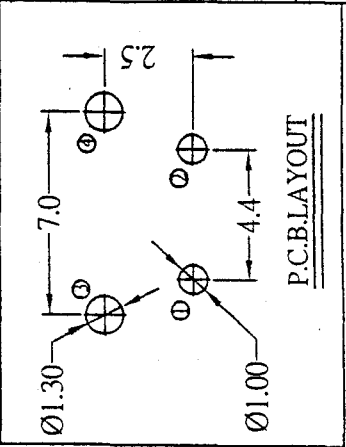
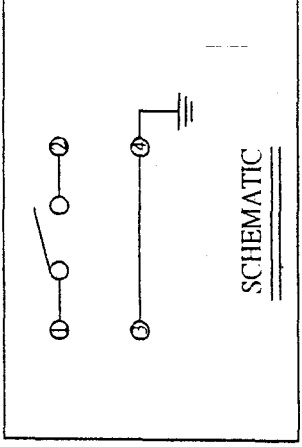
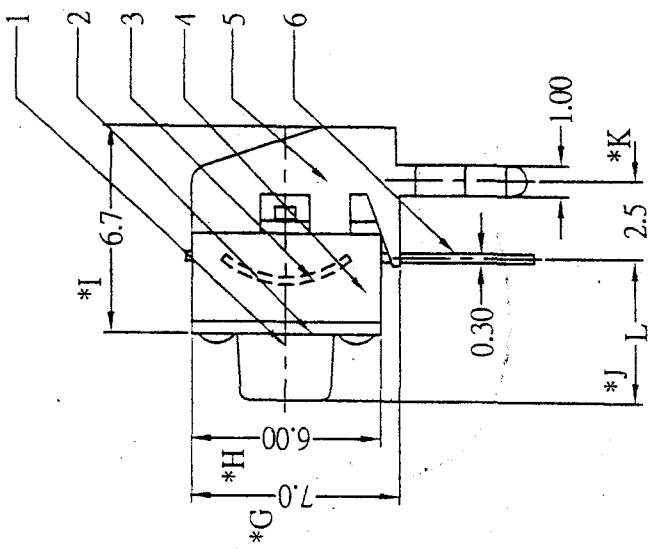
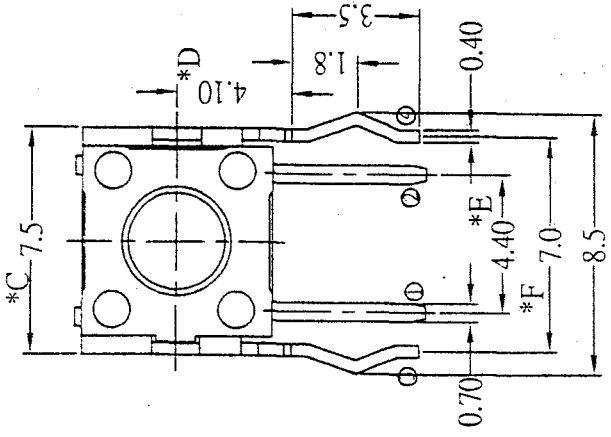
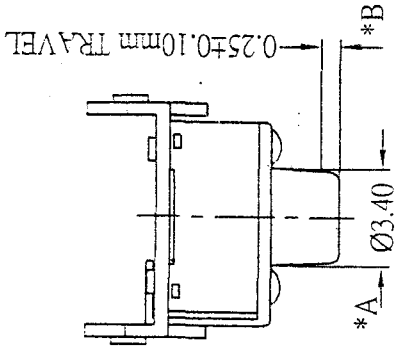


REVISION	POSITION	DESCRIPTION	DATE



* CRITICAL DIMENSION

CHI FUNG ELECTRONICS CO., LTD.

SERIES : TACT SWITCH	DRAWING NO: CF-ENL-TS4157-2
PART NAME: TS-33-BS-DG	GENERAL TOLERANCE
UNIT : M M	WITHIN 0.XXmm±0.15mm
SCALE : 5:1	OVER 0.Xmm±0.25mm
REV : A/0	
DWN: <i>[Signature]</i>	47.07.03
CHK'D: <i>[Signature]</i>	47.07.03
APP'D: <i>[Signature]</i>	07.07.03

7	TERMINAL	BRASS	2	Ag COATING
6	FRAME	SPN STRIP	1	Ni COATING
5	CASE	PA66	1	BLACK
4	CONTACT	C5210R-EH	1	Ag CLAD
3	COVER	SPN STRIP	1	Ni COATING
2	STEM	PA66	1	GRAY
NO.	PART NAME	MATERIAL	QTY	FINISHING