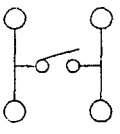
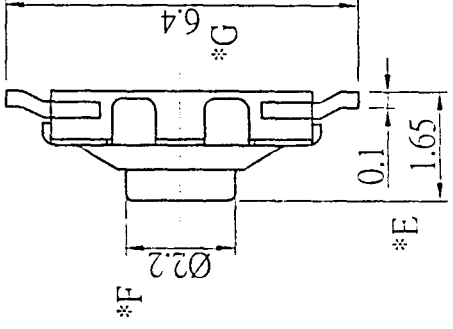
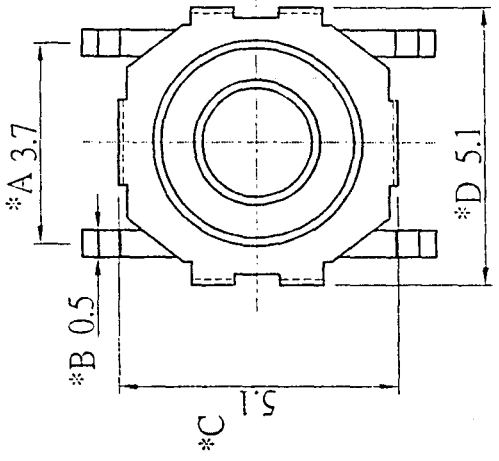
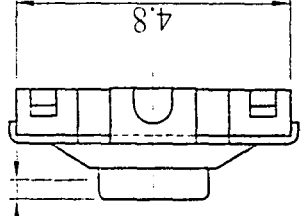
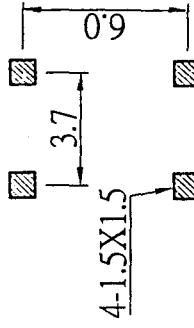


\*H 0.20 TRAVEL



SCHEMATIC

F= (force)	✓	2	180 gf
		3	250 gf



P.C.B.LAYOUT

\* CRITICAL DIMENSION

CHI FUNG ELECTRONICS CO., LTD.				DRAWING NO: CF-ENI-TS-025 GENERAL TOLERANCE WITHIN 0.Xmm ±0.15mm OVER 0.Xmm ±0.25mm	
SERIES: TACT SWITCH PART NAME: TS-1187A-F UNIT: MM SCALE: 8:1 REV: A/0	DWN: <i>21/12/2002</i> CHK'D: <i>[Signature]</i> APP'D: <i>[Signature]</i>	7 6 5 4 3 2 1 NO.	TERMINAL STEM SCREEN CONTACT CASE COVER PART NAME	BRASS PA46 PET SUS PA46 SUS MATERIAL	4 1 1 1 1 1 QTY
		Ag COATING WHITE YELLOW Ag CLAD BLACK NATURAL FINISHING			