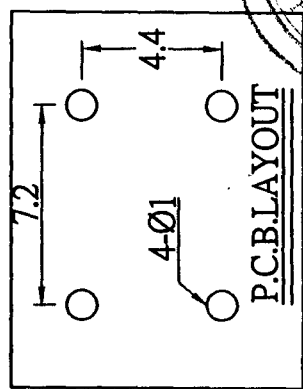


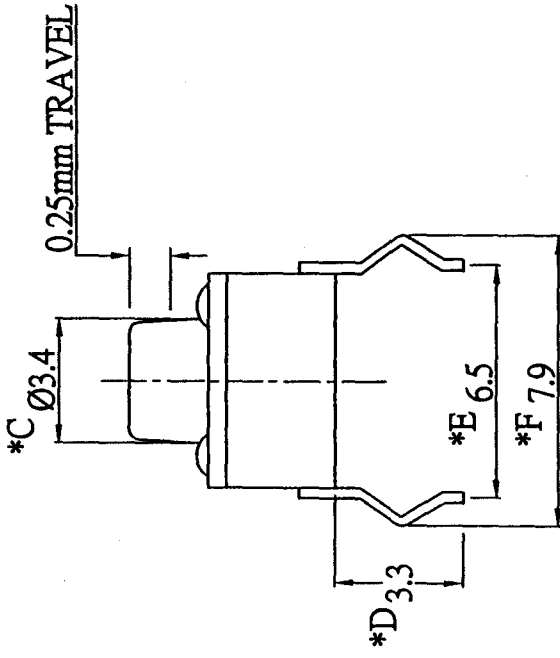
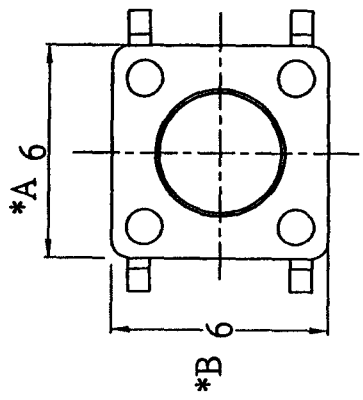
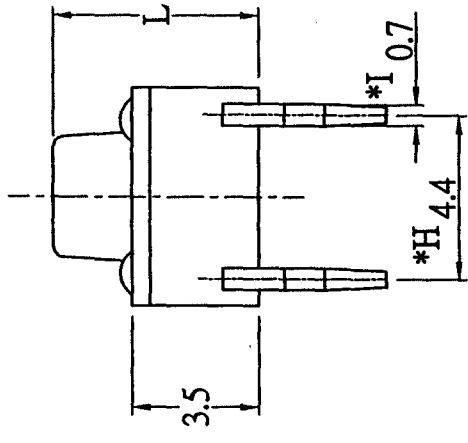
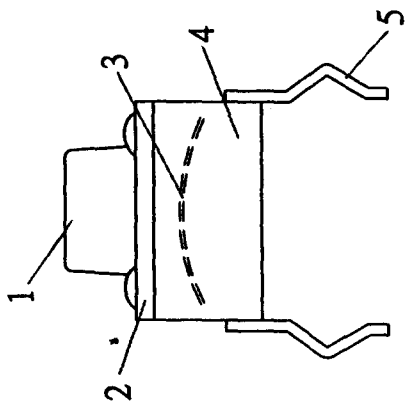
SCHEMATIC

| | | |
|----|---|---------|
| L= | A | 4.3 mm |
| | B | 5.0 mm |
| | C | 7.0 mm |
| | D | 9.5 mm |
| | E | 13.0 mm |

| | | |
|----|---|--------|
| F= | I | 100 gf |
| | L | 130 gf |
| | S | 160 gf |
| | H | 250 gf |



* CRITICAL DIMENSION



CHI FUNG ELECTRONICS CO., LTD.

| | | |
|-----------------------|---------------------------|--|
| SERIES : TACT SWITCH | DRAWING NO: CF-ENL-TS4074 | |
| PART NAME: TS-06V-LFM | GENERAL TOLERANCE | |
| UNIT : M.M | WITHIN 0.XXmm±0.15mm | |
| SCALE : 5:1 | OVER 0.Xmm±0.25mm | |
| REV : A/0 | APPR: <i>[Signature]</i> | |
| | CHK'D: <i>[Signature]</i> | |
| | DWN: <i>[Signature]</i> | |
| | DATE: 06.02.20 | |
| | 08-20 | |
| | 70/61A 04 | |

| | | | | |
|-----|-----------|-----------|-----|------------|
| NO. | PART NAME | MATERIAL | QTY | FINISHING |
| 1 | STEM | PA66 | 1 | BLACK |
| 2 | COVER | SPN STRIP | 1 | Ni COATING |
| 3 | CONTACT | C5210R-EH | 1 | Ag CLAD |
| 4 | CASE | PA66 | 1 | BLACK |
| 5 | TERMINAL | BRASS | 4 | Ag COATING |
| 6 | | | | |
| 7 | | | | |