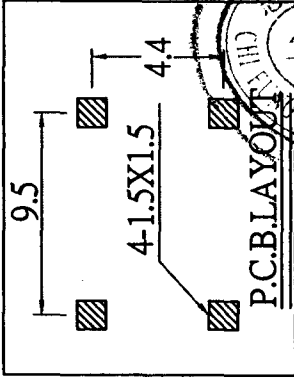


SCHEMATIC

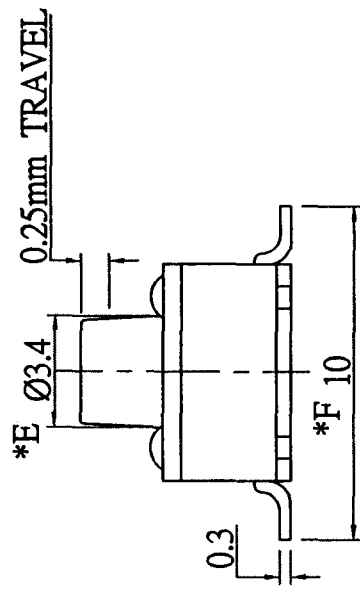
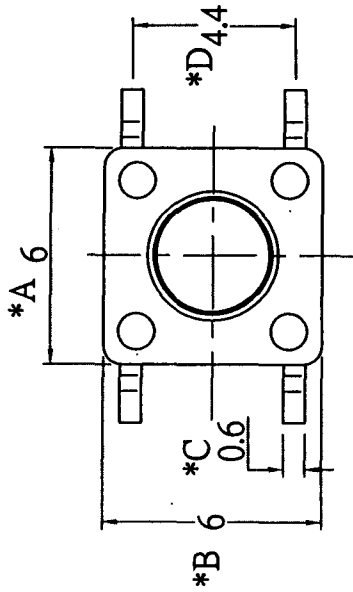
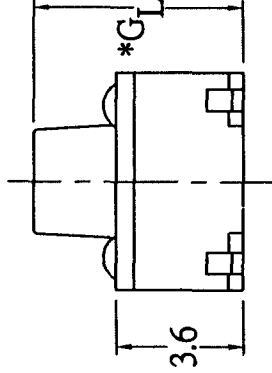
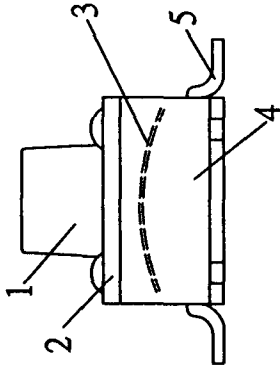
L=	A	4.3 mm
	B	5.0 mm
	C	7.0 mm
	D	9.5 mm
	E	13.0 mm
F=	I	100 gf
	L	130 gf
	S	160 gf
	H	250 gf

STEM COLOR	BLACK
	WHITE
	BROWN
	RED



* CRITICAL DIMENSION

7			
6			
5	TERMINAL	BRASS	4
4	CASE	PA66	1
3	CONTACT	C5210R-EH	1
2	COVER	SPN STRIP	1
1	STEM	PA66	1
NO.	PART NAME	MATERIAL	QTY



CHI FUNG ELECTRONICS CO., LTD.

SERIES : TACT SWITCH	DRAWING NO: CF-ENL-TS4098	
PART NAME: TS-06M-LFM	GENERAL TOLERANCE	
UNIT : M M	WITHIN 0.XXmm±0.15mm	
SCALE : 5:1	OVER 0.Xmm±0.25mm	
REV : A/0	APPD: [Signature]	
	CHKD: [Signature]	
	DWN: [Signature]	