

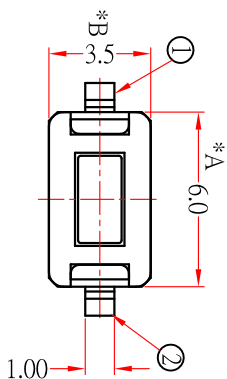
1

2

3

4

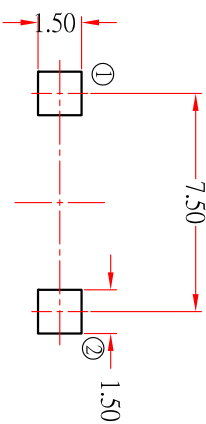
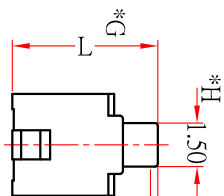
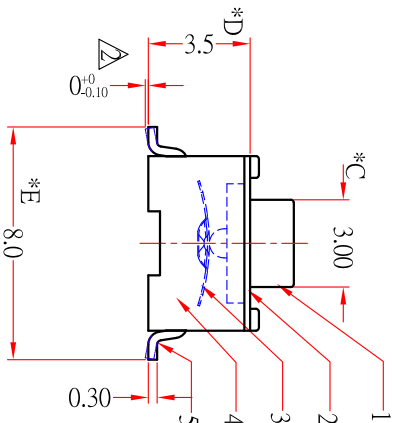
REVISION		
POSITION	DESCRIPTION	DATE
$\Delta$	From spn strip change to sus430	2007-12-05
$\Delta$	From 0.15Max change to 0.20,0.3mm	2009-03-30



SCHEMATIC

L = (height)	A	4.3mm
	B	5.0mm

F <sub>max</sub> (force)	L	130 gf
	S	180 gf
	H	250 gf



P.C.B.LAYOUT

\*CRITICAL DIMENSION

# CHI FUNG ELECTRONICS CO.,LTD.



SERIES :FACT SWITCH	DRAWING NO: CF-ENL-TS4429-1
PART NAME: TS-03M-LF-T	GENERAL TOLERANCE
UNIT : M M	WITHIN 0.XXmm±0.15mm
SCALE : 5:1	OVER 0.Xmm±0.25mm
REV : A/2	APPD.

NO.	PART NAME	MATERIAL	QTY	FINISHING
1	STEM	PA6T	1	NATURAL
2	COVER	SUS 430	1	BLACK/WHITE
3	CONTACT	SUS	1	
4	CASE	PA6T	1	BLACK/WHITE
5	TERMINAL	BRASS STRIP	2	Ag COATING
6				
7				

D

C

B

A

1

2

3

4

D