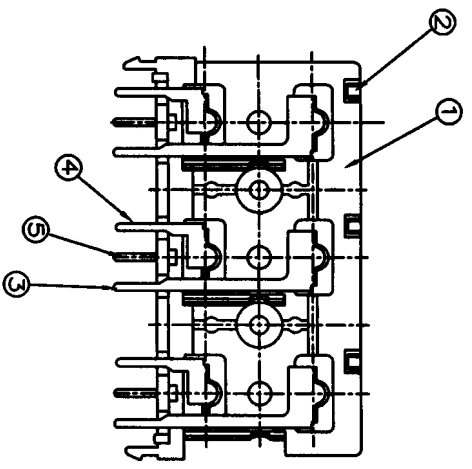
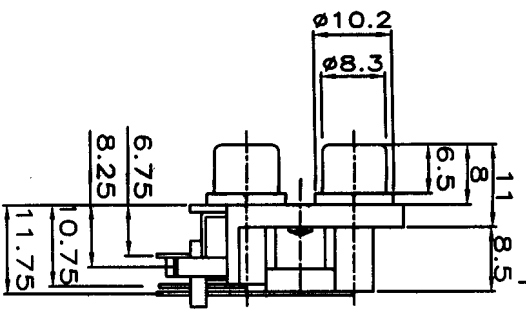
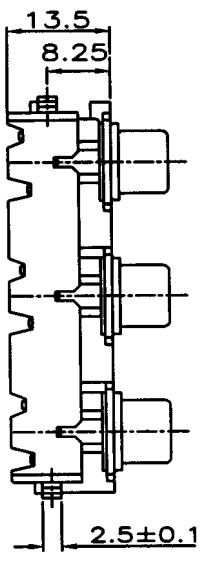
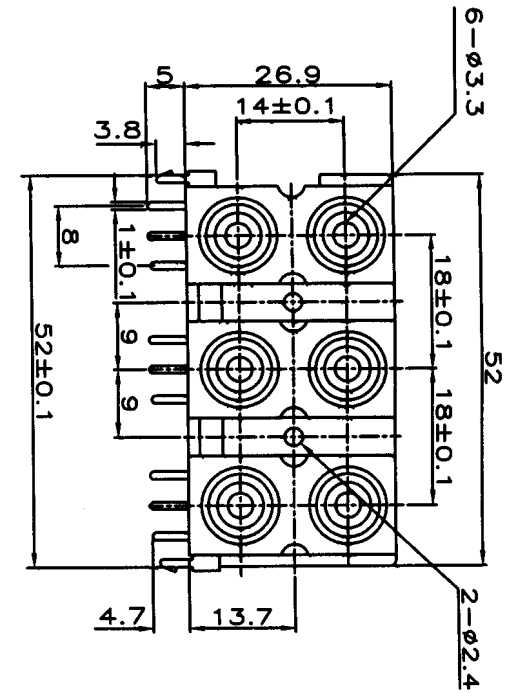
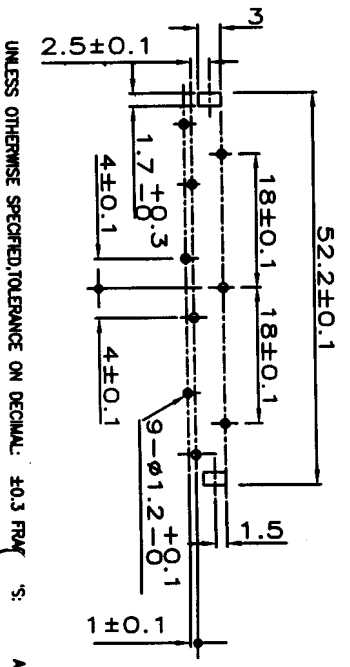


REVISIONS				
LTR	DESCRIPTION	DATE	REVISED	APPROVED



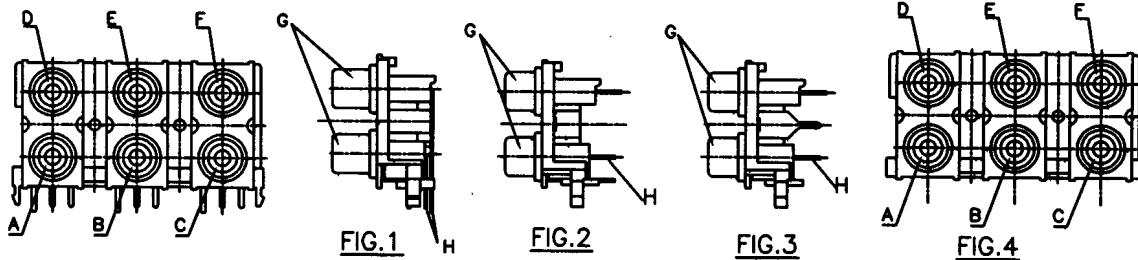
FOR APPROVAL
 2006.5.03
 RICCO ELECTRONICS CO., LTD.



5	TERMINAL	3	C2680-O	T=0.5		
4	TERMINAL	3	C2680-H	T=0.5		
3	TERMINAL	3	C2680-H	T=0.5		
2	COVER	3	ABS 94HB		PA-717C	
1	BODY	1	ABS 94HB		PA-717C	
LTR	PART NAME	QTY	MATERIAL (THICK, COLOR)		REMARK	
DWN	DATE			SCALE	NAME	
DSND	DATE			3RD ANGLE PROJECTION	SP PIN JACK BOARD	
CHKD	DATE			UNIT: mm	CAT. NO.	RSP-206V
APVD	DATE				DWN. NO.	A-206V

UNLESS OTHERWISE SPECIFIED, TOLERANCE ON DECIMAL: 0.3 FRACTIONAL ANGLES: 5°

RICCO ELECTRONICS CO., LTD.



MODEL NO.				COLOR			FINISH	
FIG. 1	FIG. 2	FIG. 3	FIG. 4	D A	E B	F C	G	H
RSP-206V-31	RSP-206H-31	RSP-206HP-31	RSP-206HP1-31	RED RED	YELLOW YELLOW	WHITE WHITE	AU	PB-SN
RSP-206V-32	RSP-206H-32	RSP-206HP-32	RSP-206HP1-32	WHITE RED	WHITE RED	YELLOW YELLOW	AU	PB-SN
RSP-206V-33	RSP-206H-33	RSP-206HP-33	RSP-206HP1-33	RED RED	GREEN WHITE	BLUE YELLOW	AU	PB-SN
RSP-206V-34	RSP-206H-34	RSP-206HP-34	RSP-206HP1-34	GREEN GREEN	BLUE BLUE	RED RED	AU	PB-SN
RSP-206V-35	RSP-206H-35	RSP-206HP-35	RSP-206HP1-35	WHITE WHITE	RED RED	RED RED	AU	PB-SN
RSP-206V-36	RSP-206H-36	RSP-206HP-36	RSP-206HP1-36	WHITE WHITE	RED RED	ORANGE ORANGE	AU	PB-SN
RSP-206V-37	RSP-206H-37	RSP-206HP-37	RSP-206HP1-37	RED RED	WHITE GREEN	YELLOW BLUE	NI	PB-SN
RSP-206V-38	RSP-206H-38	RSP-206HP-38	RSP-206HP1-38	RED RED	WHITE GREEN	YELLOW BLUE	AU	PB-SN
RSP-206V-39	RSP-206H-39	RSP-206HP-39	RSP-206HP1-39	YELLOW YELLOW	WHITE WHITE	RED RED	NI	PB-SN

FOR APPROVAL
 2005. 5. 03
 RICCO ELECTRONICS CO., LTD.

LTR	PART NAME	QTY	MATERIAL (THICK, COLOR)	REMARK
DWN	<i>Linda</i>	DATE	SCALE 3RD ANGLE PROJECTION UNIT:	NAME: RSP-206-2 SERIES PARTS NO. TABLE CAT. NO.
DSND		DATE		
CHKD	<i>Linda</i>	DATE		
APVD		DATE		
RICCO ELECTRONICS CO., LTD.				DWN. NO. E-206