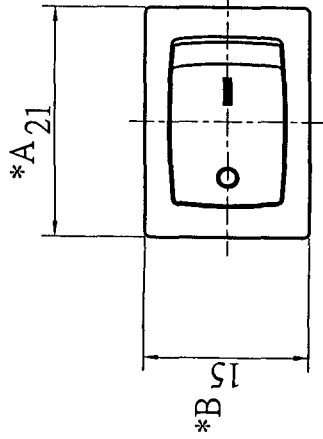
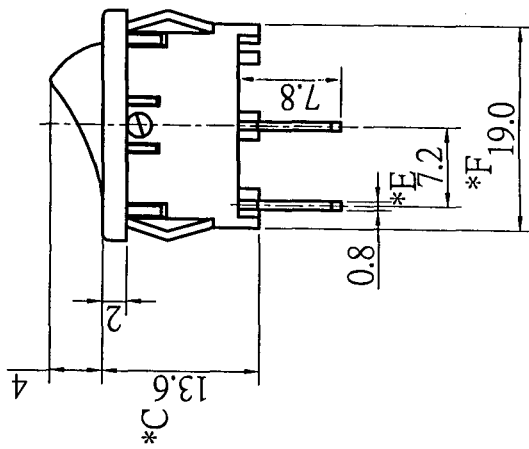


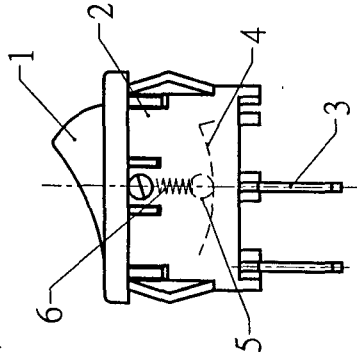
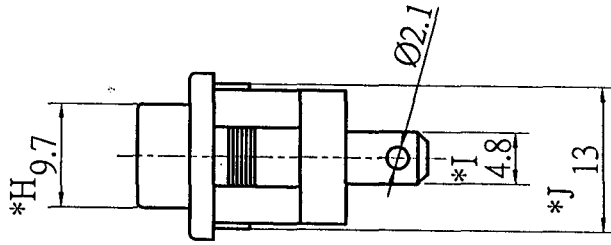
A



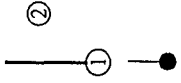
B



C



SCHEMATIC



* CRITICAL DIMENSION

CHI FUNG ELECTRONICS CO., LTD.

SERIES : ROCKER SWITCH

PART NAME: RL3-111(ON)-G-2-BK/BK-P5

UNIT : MM

SCALE : 3:2

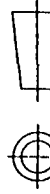
REV : A0

DRAWING NO.: CF-ENL-RS4044

GENERAL TOLERANCE

WITHIN 0.XXmm±0.15mm

OVER 0.Xmm±0.25mm



7	SPRING	STEEL WIRE	1	NATURAL
6	STEEL BALL	STEEL	1	NATURAL
5	CONTACT	BRASS	1	Ag COATING
4	TERMINAL	COPPER	2	Ag COATING
3	CASE	PA66	1	BLACK
2	STEM	PBT	1	BLACK
NO.	PART NAME	MATERIAL	QTY	FINISHING

D