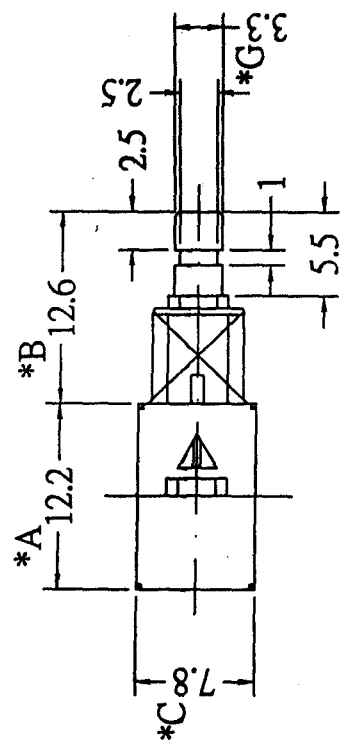
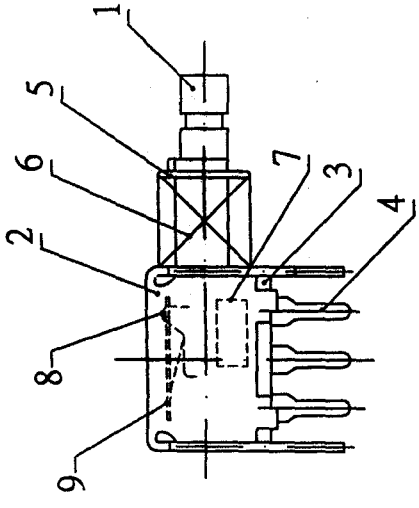
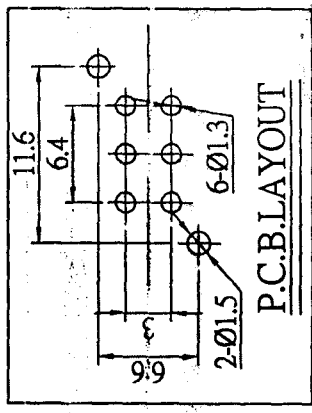
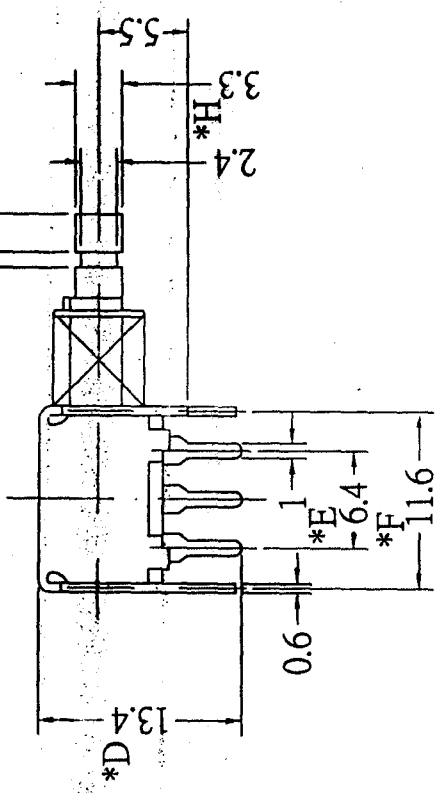
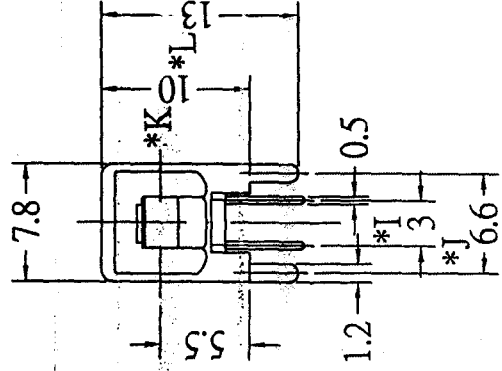


SCHMATIC



2.5mm LOCK STROKE
3.5mm FULL STROKE



P.C.B. LAYOUT



* CRITICAL DIMENSION

| | | | |
|---------------------------------------|--------------|----------------------|-------------|
| CHI FUNG ELECTRONICS CO., LTD. | | | |
| DRAWING NO.: CF-ENL-PS4032 | | SERIES : PUSH SWITCH | |
| GENERAL TOLERANCE | | PART NAME: PS-22F02L | |
| WITHIN 0.XXmm±0.15mm | | DWN: <i>042708</i> | UNIT : MM |
| OVER 0.Xmm±0.25mm | | CHK'D: <i>042708</i> | SCALE : 2:1 |
| NO. | PART NAME | APP'D: <i>042708</i> | REV : A0 |
| 9 | SPRING PLATE | PBS | 1 |
| 8 | CAM STICK | COPPER | 1 |
| 7 | CONTACT CLIP | C5210R-EH | 2 |
| 6 | SPRING | STEEL WIRE | 1 |
| 5 | LOCK PLATE | SPN | 1 |
| 4 | TERMINAL | BRASS | 6 |
| 3 | BASE | PHENOLIC RESIN | 1 |
| 2 | FRAME | SPN | 1 |
| 1 | KNOB | FOM | 1 |
| | MATERIAL | | QTY |
| | FINISHING | | |