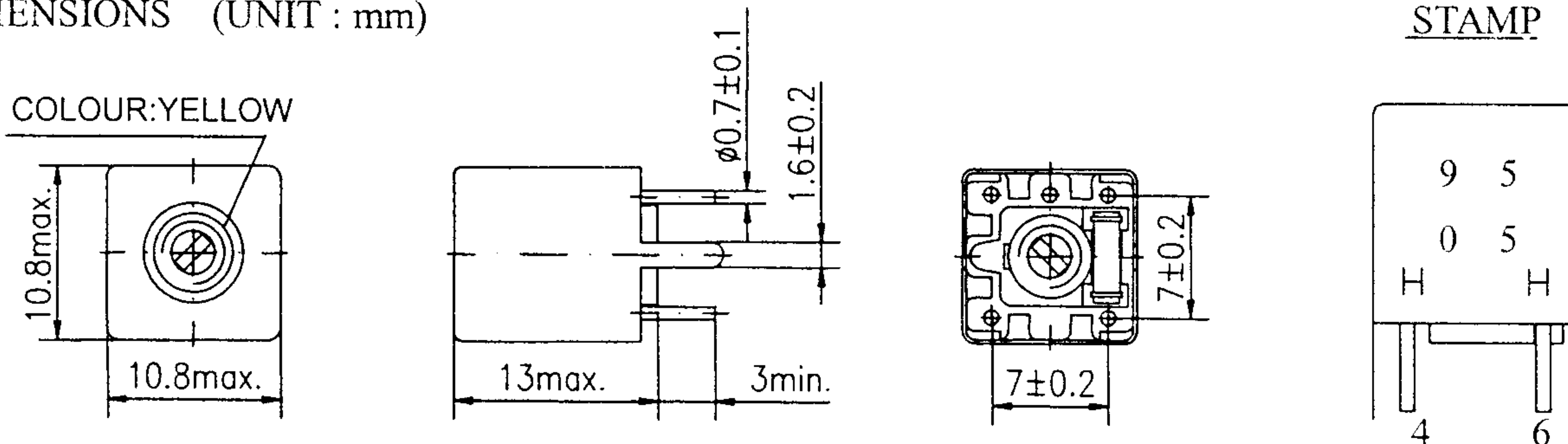


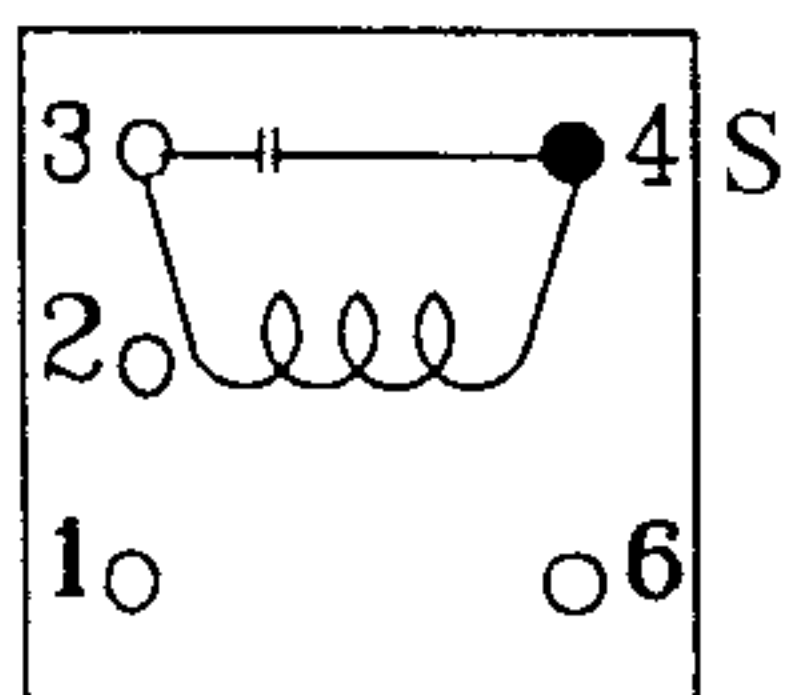
SPECIFICATION

CUSTOMER : PAULITRON	APPROVED BY
CUS. PART NO. : TKXCS-B4692AYC	
COILS PART NO. : KT1C-879505	
DATE : 2004/09/17	

1. DIMENSIONS (UNIT : mm)



2. CIRCUIT



3. TURNS, WIRE AND CORE

PIN. NO.	4-3			
TURNS (Ref.)	3 T			
WIRE	Ø0.12mm(0UEW)			
SCREW CORE	EM11 OR EQUIVALENT			
POT CORE	EM11 OR EQUIVALENT			

4. CHARACTERISTICS

ITEM	SPEC. (4 - 3)	TESTING CONDITION
CENTER FREQUENCY	45.75MHz	
VARIABLE FREQUENCY	45.75MHz±3% Min.	
UNLOADED Q	64±20%	45.75MHz
INT. CAPACITY	75pF±5%	
MEASUREMENT INSTRUMENT	MQ-171	

EXT. STRAY CAP. 4.6 pF (4 - 3)

5. GENERAL CHARACTERISTICS:

- ① Core Torque : 10 ~ 250gf · cm
- ② Dielectric Strength: No abnormality at 100V D.C. for 1 minute between winding-case.
- ③ Insulation Resistance: Over 100MΩ at 100V D.C. between winding-case.
- ④ Humidity Test : Frequency (Inductance) deviation within ±0.5% (±1%)
Deviation of Q within ±20%
After 96±4 hours in 90~95% relative humidity at 40°C±2°C and 60 minutes drying under normal condition.
- ⑤ Temperature Test : Frequency (Inductance) deviation within ±0.5% (±1%)
Deviation of Q within ±20%
a. After 6 hours at -25°C±3°C and 1 hour later under normal condition.
b. After 6 hours at 85°C±2°C and 1 hour later under normal condition.
- ⑥ Terminal Strength : No abnormality at 0.5kg for 30±5 seconds (pull and push).
- ⑦ Terminal Heat Test: No abnormality at 250°C±5°C for 5 seconds.

6. REMARKS:

APPROVAL	CHECK	DESIGN	REVISION