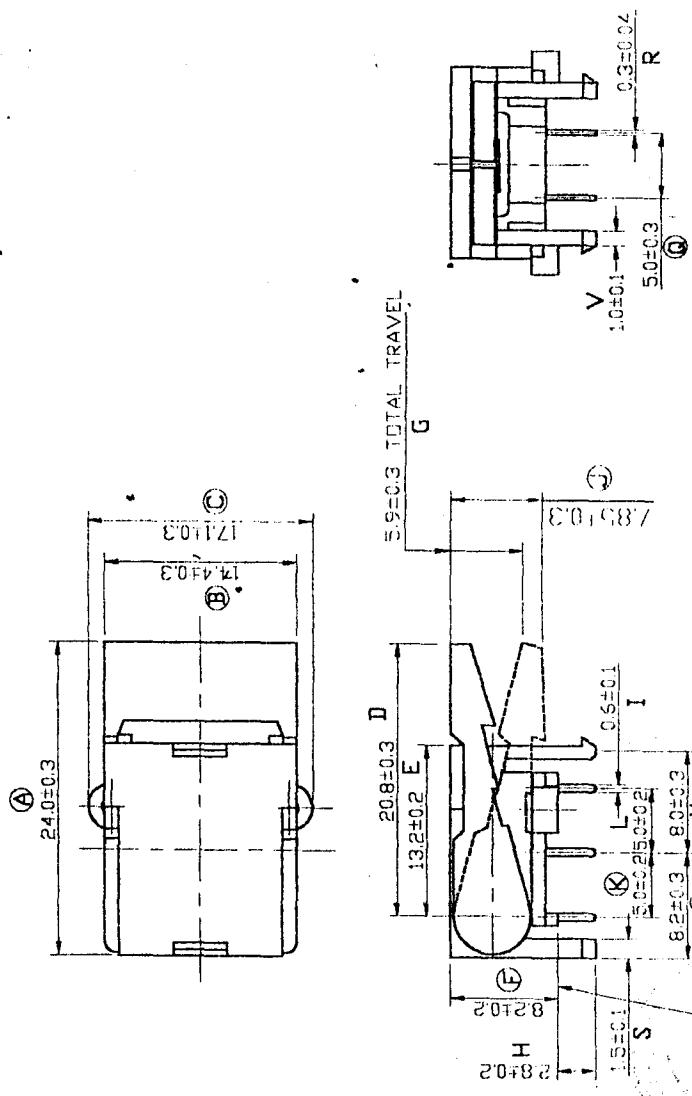
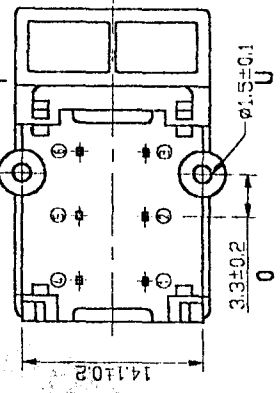
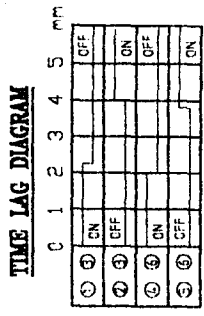


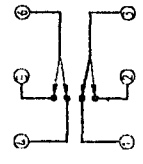
P.C.B LAYOUT



P.C.B MOUNTING FACE



SCHEMATIC



DESCRIPTION	MODEL NO: HS-22L01		TOLERANCE UNLESS OTHERWISE SPECIFIED	
	DRAWING NO: CF-ENL-HS009		ANGLE: \pm 3°	
版本 / 版次	A / 0			
DRAWN BY: ZCP	DATE: 02.12.07			
APPROVAL:	DATE:			
APPROVAL: <i>[Signature]</i>	DATE: 02-12-07			
SCALE: 2:1	UNIT: MM			

志丰电子有限公司
CHI FUNG ELECTRONICS CO., LTD.