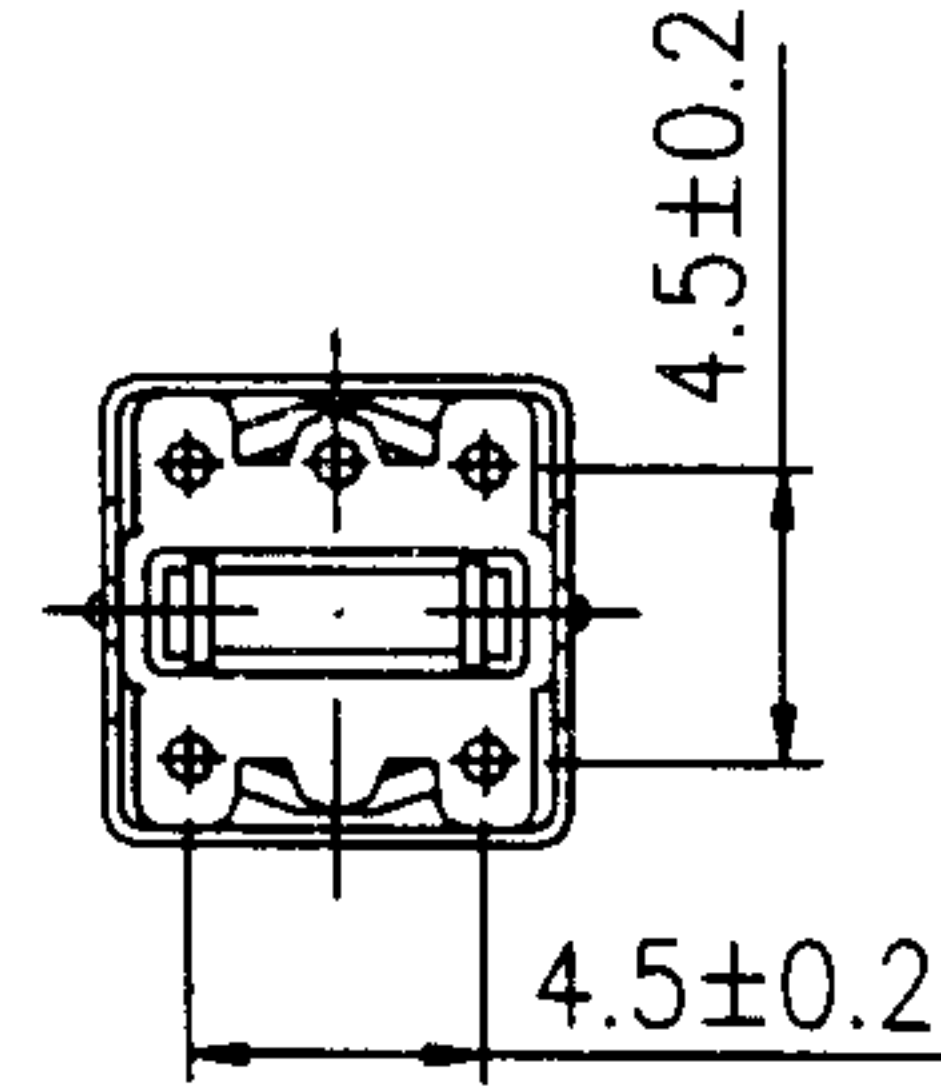
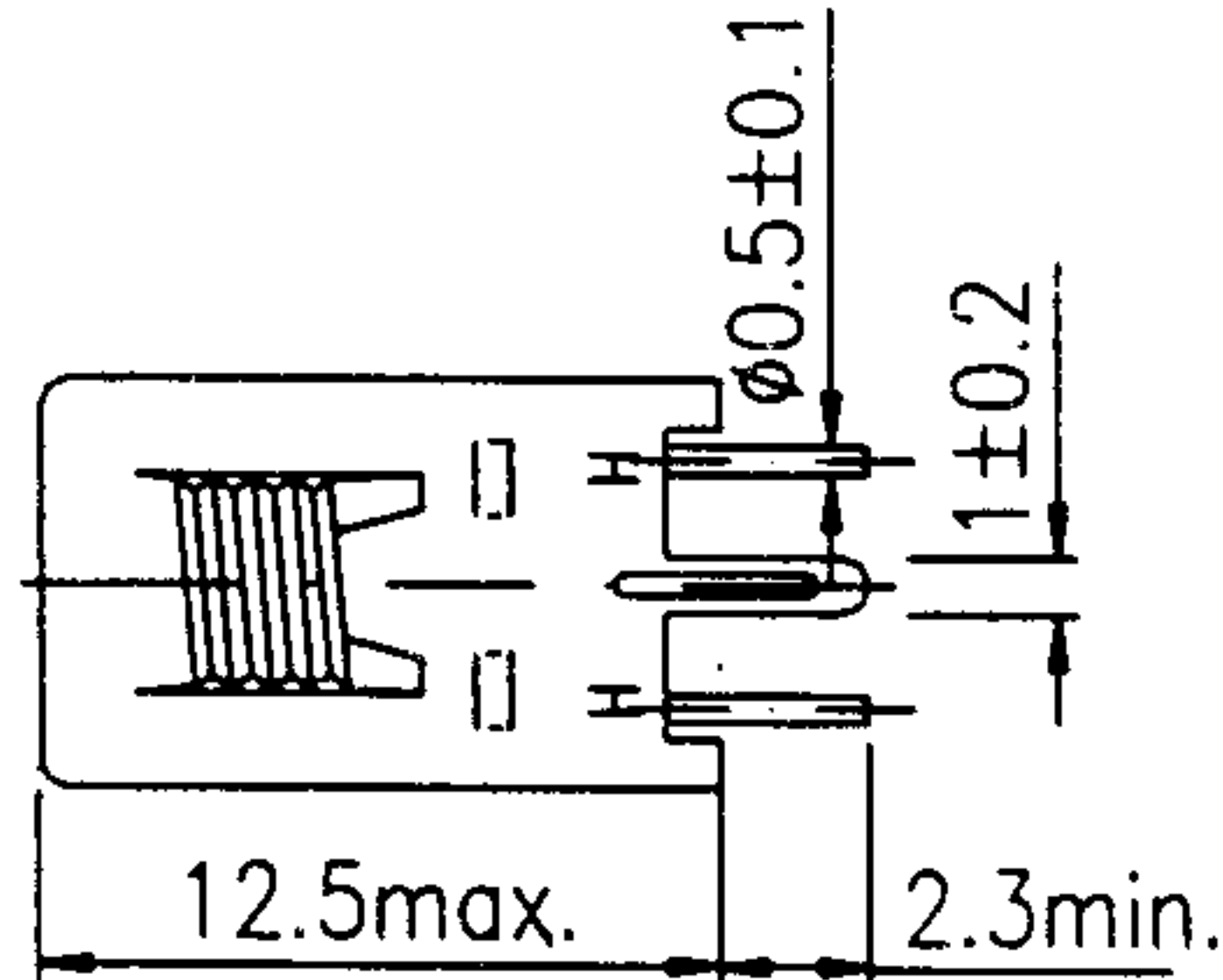
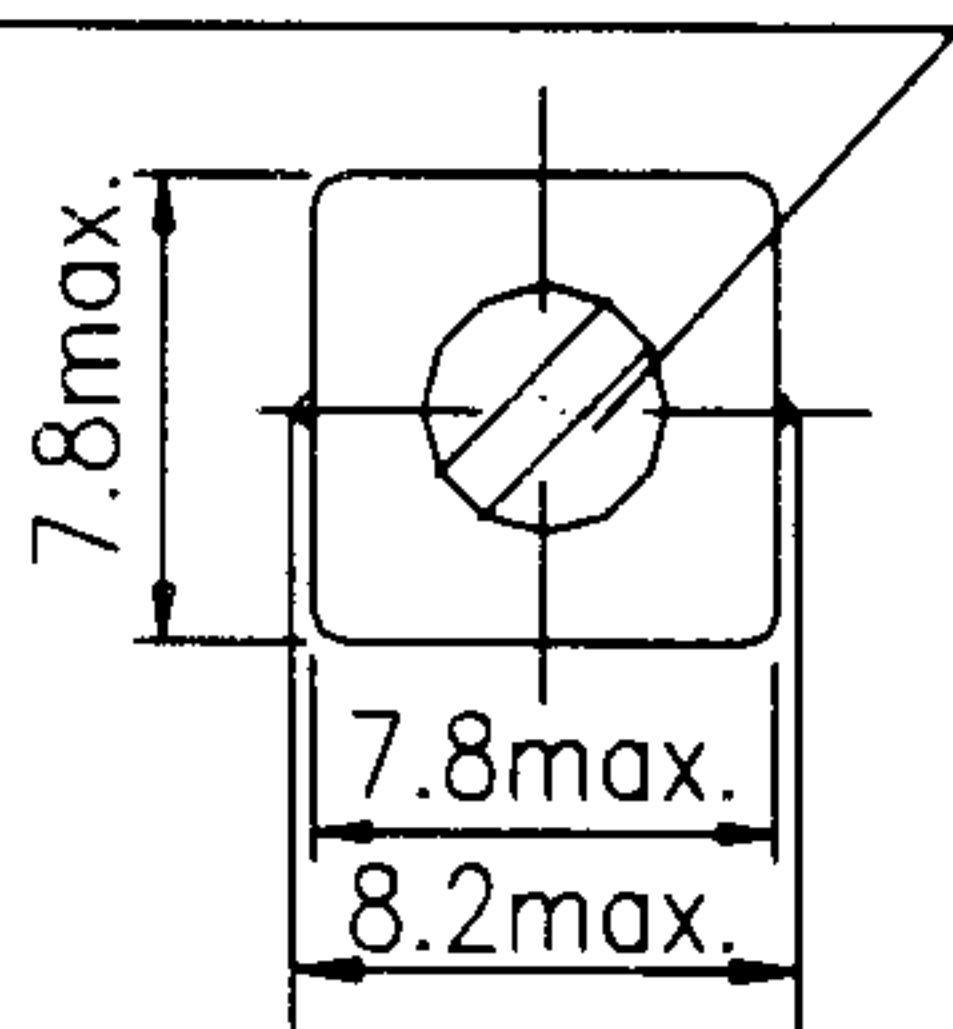


# \*SPECIFICATION\*

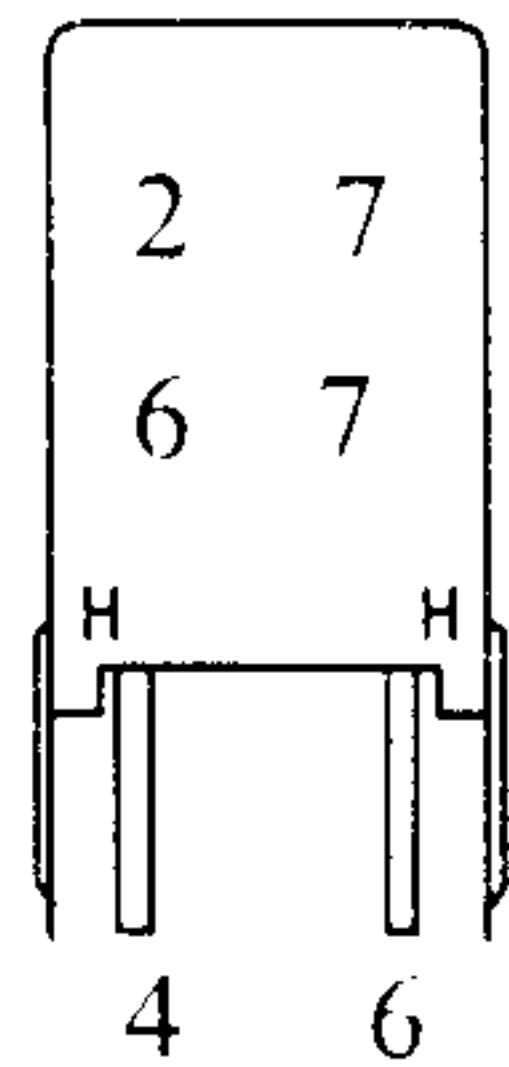
CUSTOMER : PAULITRON	APPROVED BY
CUS. PART NO. :	
COILS PART NO. : FHK7-872767	
DATE : 2003/2/10	

## 1. DIMENSIONS (UNIT : mm)

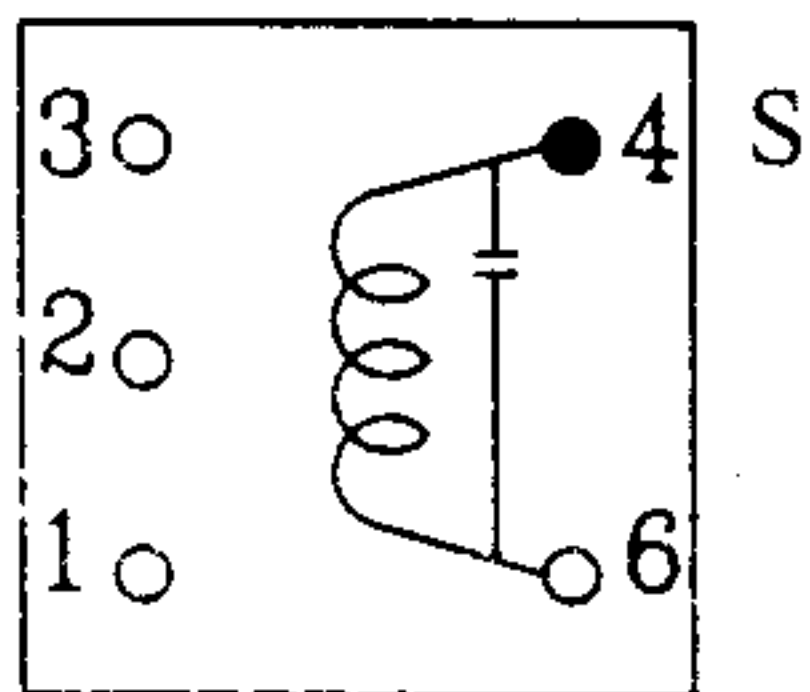
COLOUR BLACK



STAMP



## 2. CONNECTION (BOTTOM)



## 3. TURNS, WIRE AND CORE

PIN. NO.	4 - 6		
TURNS (Ref.)	19 T		
WIRE	Ø010mm (0UEW)		
DRUM CORE	CM8B	OR EQUIVALENT	
CAP CORE	CM8C	OR EQUIVALENT	

## 4. CHARACTERISTICS

ITEM	SPEC. ( 4 - 6 )	MEASUREMENT CONDITIONS
CENTER FREQUENCY	10.7MHz ✓	
VARIABLE FREQUENC	10.7MHz ± 3% Min.	
UNLOADED Q	105 Min.	10.7MHz
INT. CAPACITY	27pF ± 5%	
MEASUREMENT INSTRUMENT	MQ-1601	

EXT. CAP. 2 pF ( 4 - 6 )

## 5. GENERAL CHARACTERISTICS:

- ① Core Torque : 40 ~ 500gf · cm
- ② Dielectric Strength: No abnormality at 100V D.C. for 1 minute between ~~winding-winding~~, winding-case.
- ③ Insulation Resistance: Over 100MΩ at 100V D.C. between ~~winding-winding~~, winding-case.
- ④ Humidity Test : Frequency (Inductance) deviation within ±0.5% (±1%)  
Deviation of Q within ±20%  
After 96±4 hours in 90~95% relative humidity at 40°C±2°C and 60 minutes drying under normal condition.
- ⑤ Temperature Test : Frequency (Inductance) deviation within ±0.5% (±1%)  
Deviation of Q within ±20%  
a. After 6 hours at -25°C±3°C and 1 hour later under normal condition.  
b. After 6 hours at 85°C±2°C and 1 hour later under normal condition.
- ⑥ Terminal Strength : No abnormality at 0.5kg for 30±5 seconds (pull and push).
- ⑦ Terminal Heat Test: No abnormality at 250°C±5°C for 5 seconds.

## 6. REMARKS:

\* TOKO NO: A119ACS-B7347BS

APPROVAL	CHECK	DESIGN	REVISION