





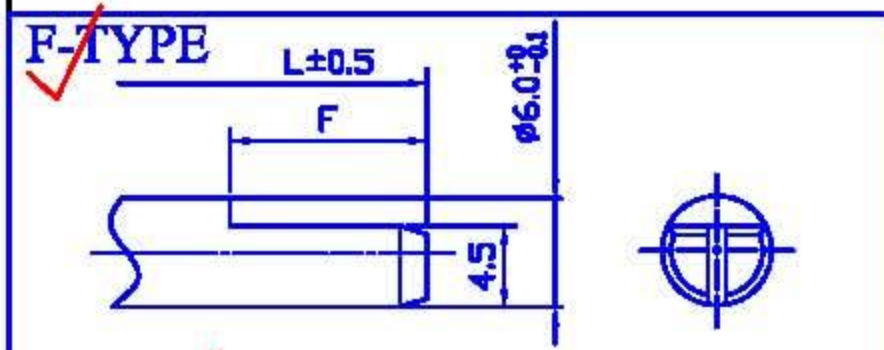
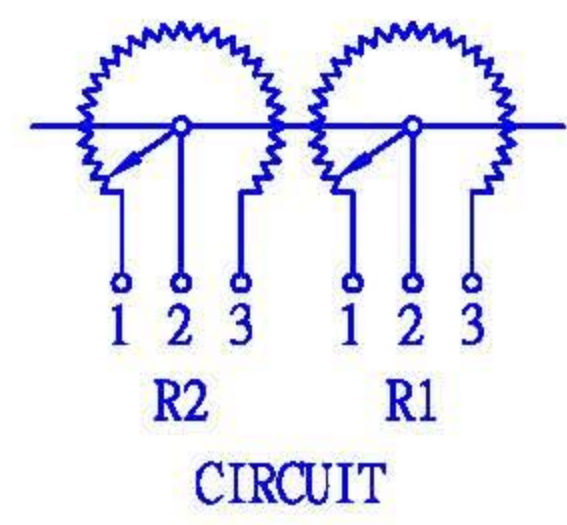
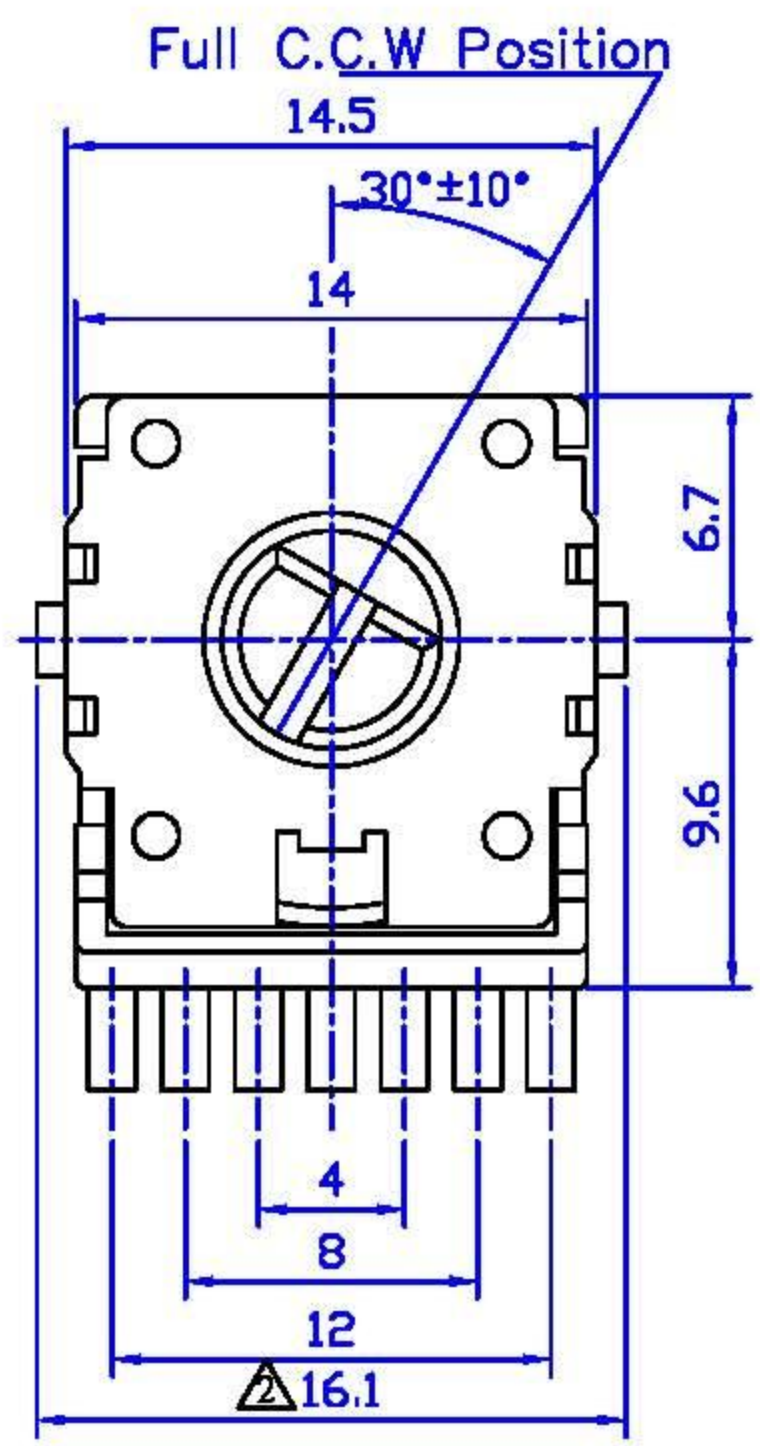
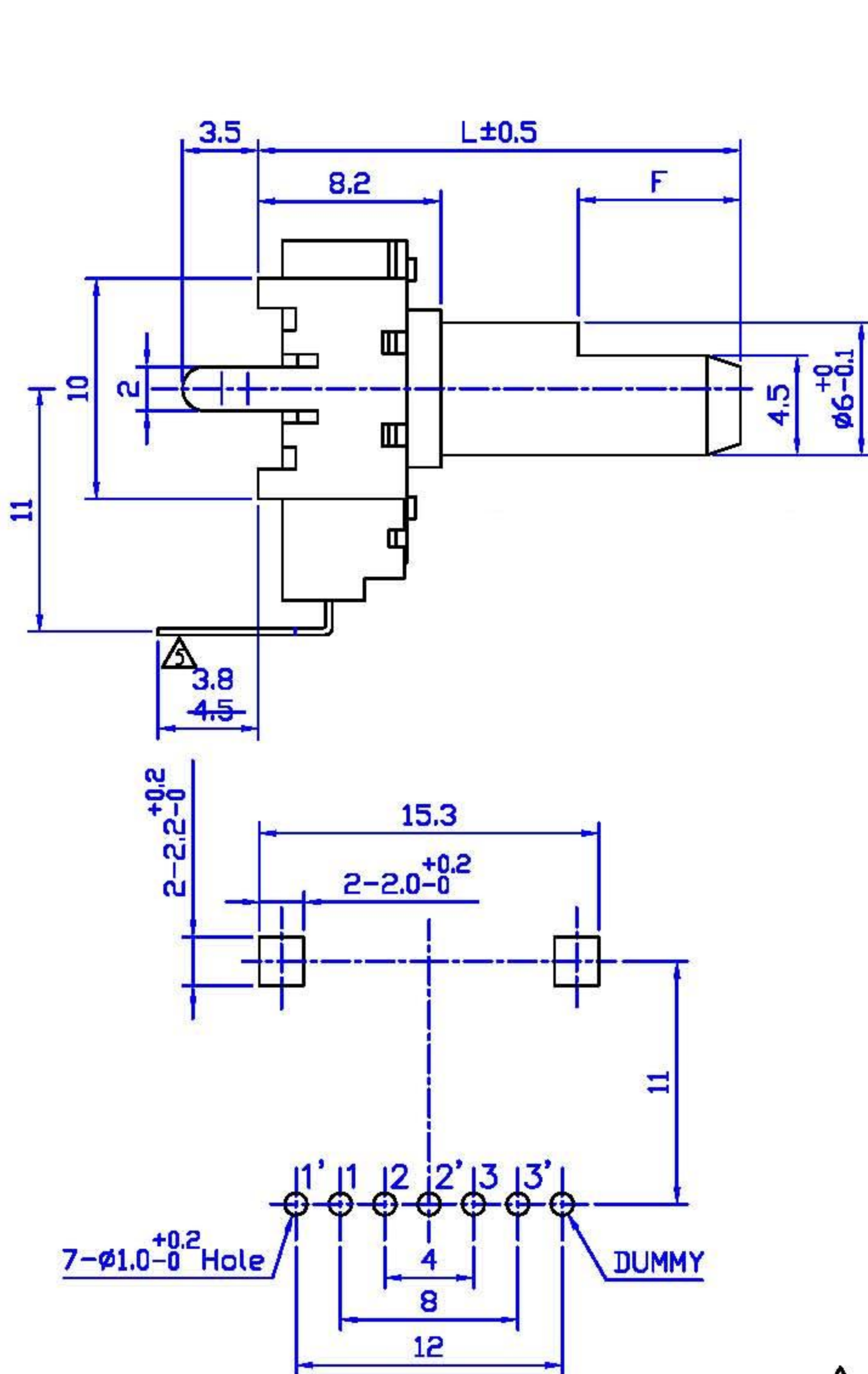
SPECIFICATION

客戶名稱:

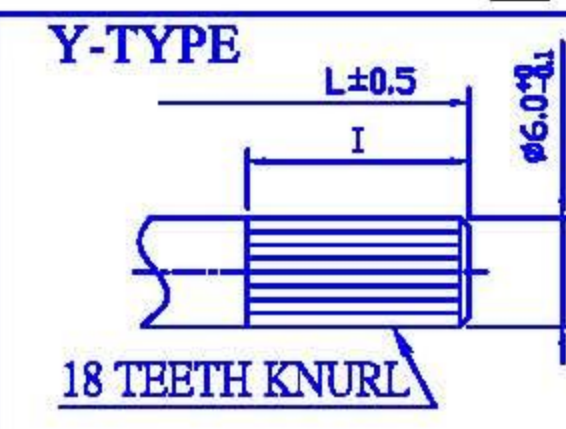
NO.	F-14K-01-004
Date	2010/01/26

NO.	Name	Client's Part number
1	F-14KH B100K L15FC*4.5(K)	
2		
3		
4		
5		

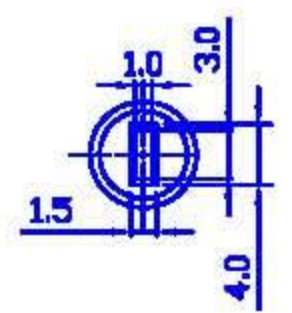
業務	廠務	品保	工程	客戶承認		
						



L	15	20	22.5	25	27.5
F	4.5	7	7	12	12
L	30	32.5	35	37.5	
F	12	12	12	12	



L	15	20	22.5	27.5
I	5	7	7	12



未指定容許±尺寸之公差	
10以下	±0.3
10~100	±0.5
100以上	±0.8
角度	±5°

MTL		SPEC		DISPOSAL		UNIT		SCALE		TITLE		
△	2008.05.26	程勛挺		UNIT		MM		3 / 1		F-14K Series		
△	2005.08.02	程勛挺		DRAWN		DESIGN		CHECK		APPROVAL		
△	2005.08.02	程勛挺		DRAWN		DESIGN		CHECK		APPROVAL		
△	2005.04.29	高仕周		DRAWN		DESIGN		CHECK		APPROVAL		
△	2001.08.04	楊洪君		DRAWN		DESIGN		CHECK		APPROVAL		
DEVISION	DATE	DESIGN		DRAWN		DESIGN		CHECK		APPROVAL		
										DWG NAME		F-14KH
										DWG NO.		F-14K-08-004

編號 NO. : F-14K-01-004

公司名稱 CO. Name : 瑞盈

型號名稱 Model Name : F-14KH B100K L15FC*4.5(K)

ELECTRICAL CHARACTERISTICS 電氣特性

日期:2010年01月26日

Total Resistance 全阻值	<u>100K</u> Ω±20%
Resistance Taper 阻抗特性型式	<input checked="" type="checkbox"/> A, <input type="checkbox"/> B, <input type="checkbox"/> C, <input type="checkbox"/> D, <input type="checkbox"/> E, <input type="checkbox"/> NM, <input type="checkbox"/> RD, <input type="checkbox"/> W, <input type="checkbox"/>
Max. Operating Voltage 最高工作電壓	AC <u>50</u> V
Rated Power 額定功率	<u>0.05</u> W
Sliding Noise 雜訊	Less than <u>100</u> mV
Insulation Resistance 絕緣阻抗值	More than <u>100</u> MΩ at DC <u>250</u> V
Withstand Voltage 耐電壓特性	1 minute at AC <u>500</u> V
Residual Resistance 殘留阻值	Term. 1~2 :Less than <u>20</u> Ω Term. 2~3 :Less than <u>20</u> Ω
Gang Error (Dual Unit) 同步誤差值	- <u>40</u> dB ~ <u>0</u> dB± <u>3</u> dB

MECHANICAL CHARACTERISTICS 機構特性

Total Rotation Angle 全回轉角度	<u>300</u> ° ± <u>10</u> °
Rotation Torque 旋轉力矩	<u>30</u> ~ <u>130</u> gf.cm
Rotation Stopper Strength 旋轉止動強度	<u>5.0</u> Kgf.cm Min.
Push-Pull Strength 軸柄推拉承受強度	Pull: <u>8.0</u> Kg.f Min. Push: <u>8.0</u> Kg.f Min. at 10 seconds
Bushing & Nut Tight Strength 軸套螺母緊固強度	<u>8.0</u> Kgf.cm Max.
Number of Detents (Click) 旋轉段位數目	<input type="checkbox"/> 1C (Center Detent 中段功能), <input type="checkbox"/> 11C, <input type="checkbox"/> 21C, <input type="checkbox"/> 41C
Click Torque 段位推動力	<u> / </u> ~ <u> / </u> gf.cm
Resistance to soldering heat 錫耐熱性	Manual Soldering: Less than 300°C and quicker than 3 seconds. (手鐸: 300°C 以下, 3 秒以內)
	Solder dip:浸焊 Preheating condition: Surface temperature of the substrate shall be settled within 100°C in one min. 預熱: 基板表面溫度 100°C 以下, 1 分鐘內。 Solder temperature 260±5°C for 5 sec. 焊錫溫度 260±5°C, 5 秒。
Rotational Life 旋轉壽命	<input checked="" type="checkbox"/> 10,000 <input type="checkbox"/> Other <u> / </u> (Cycles min.)

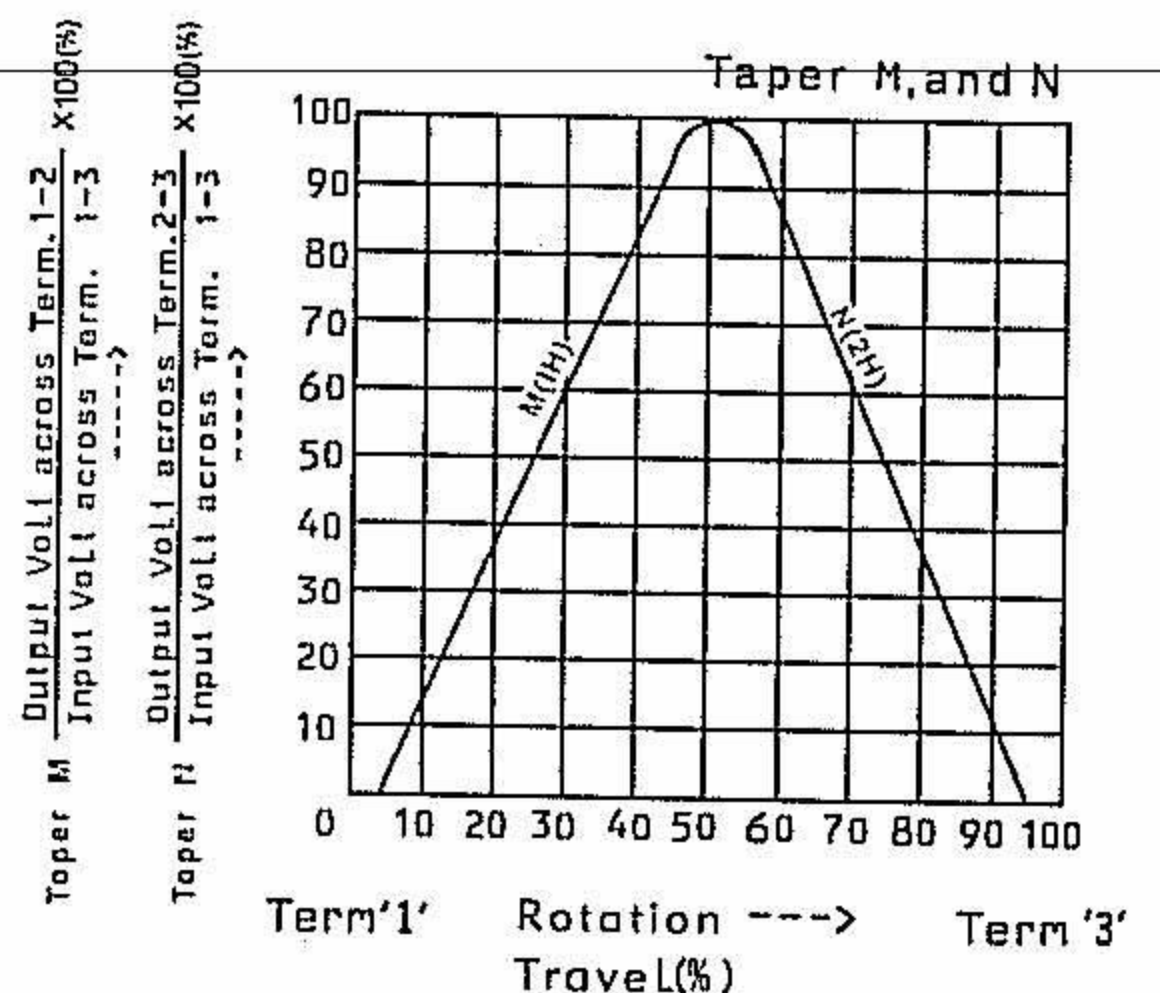
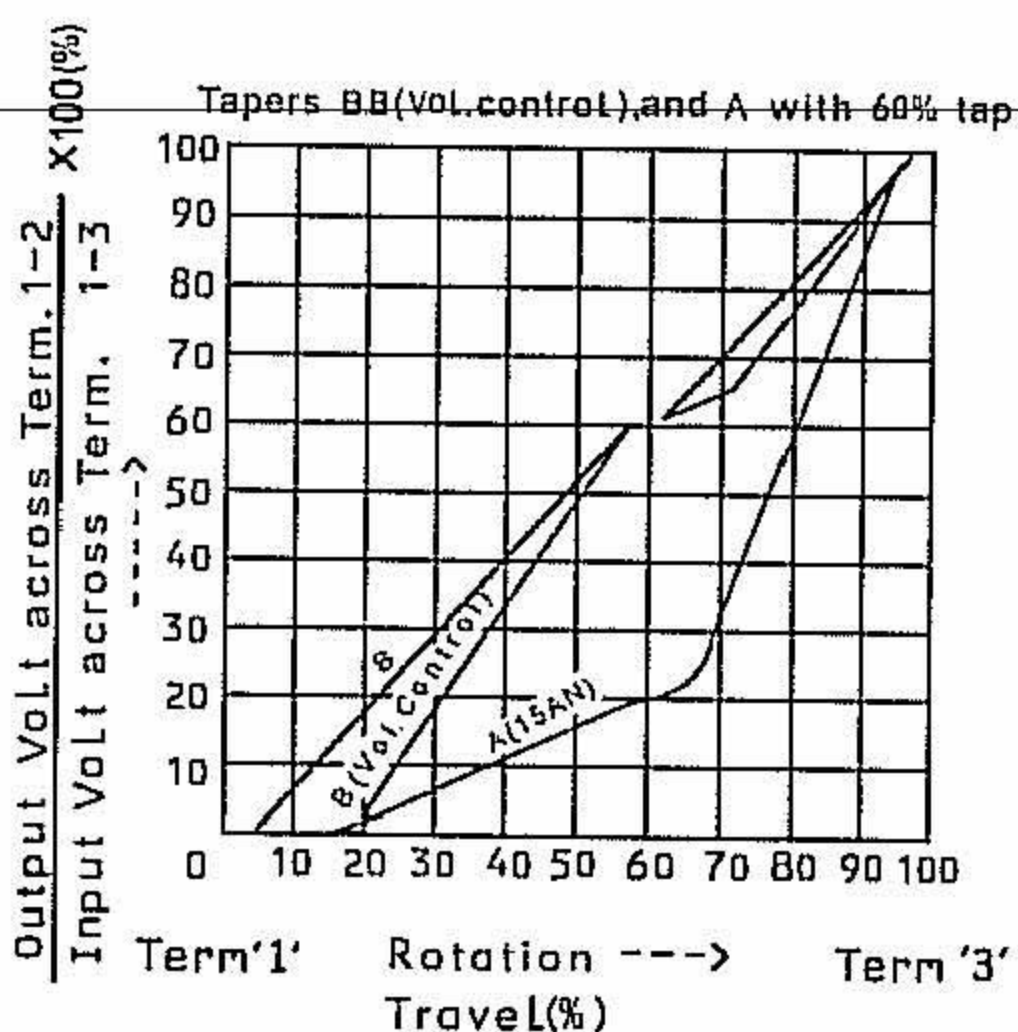
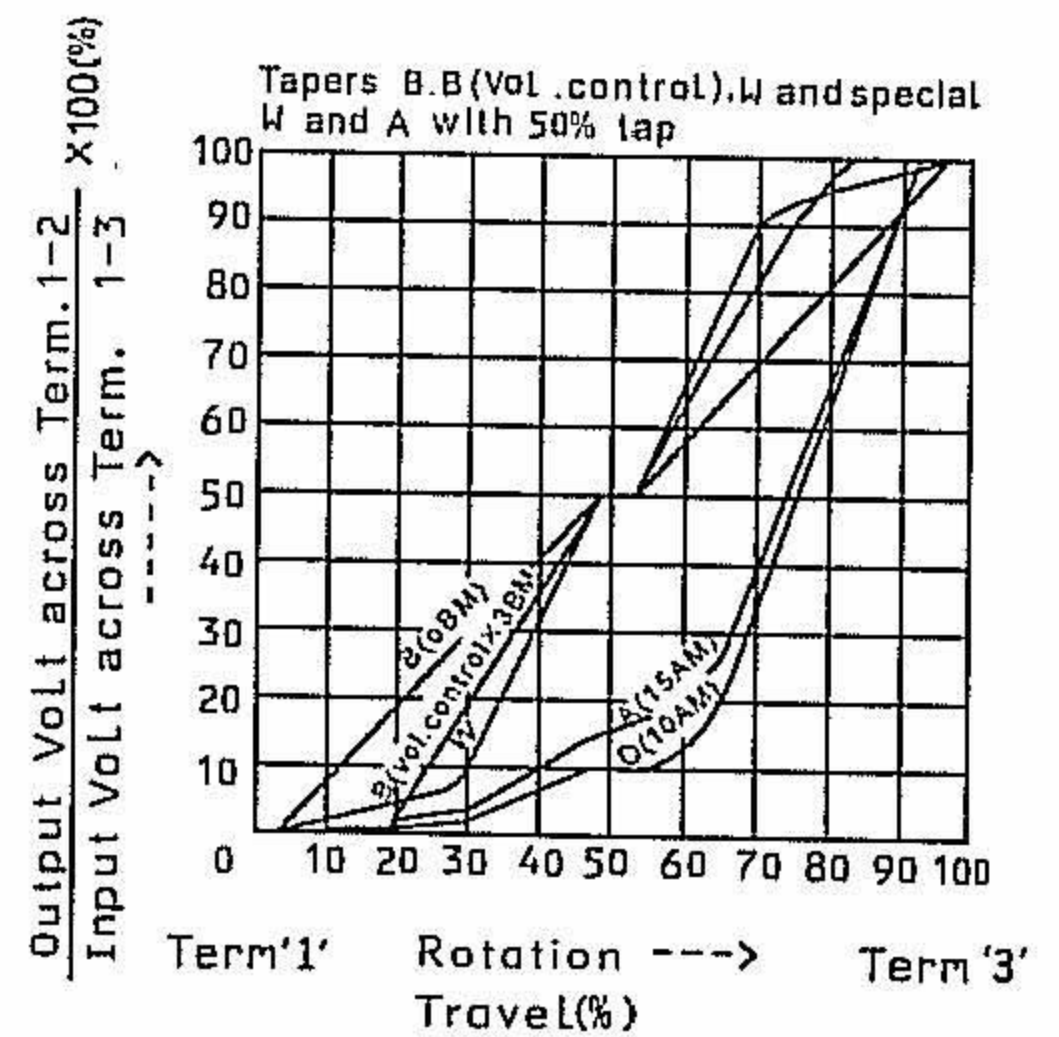
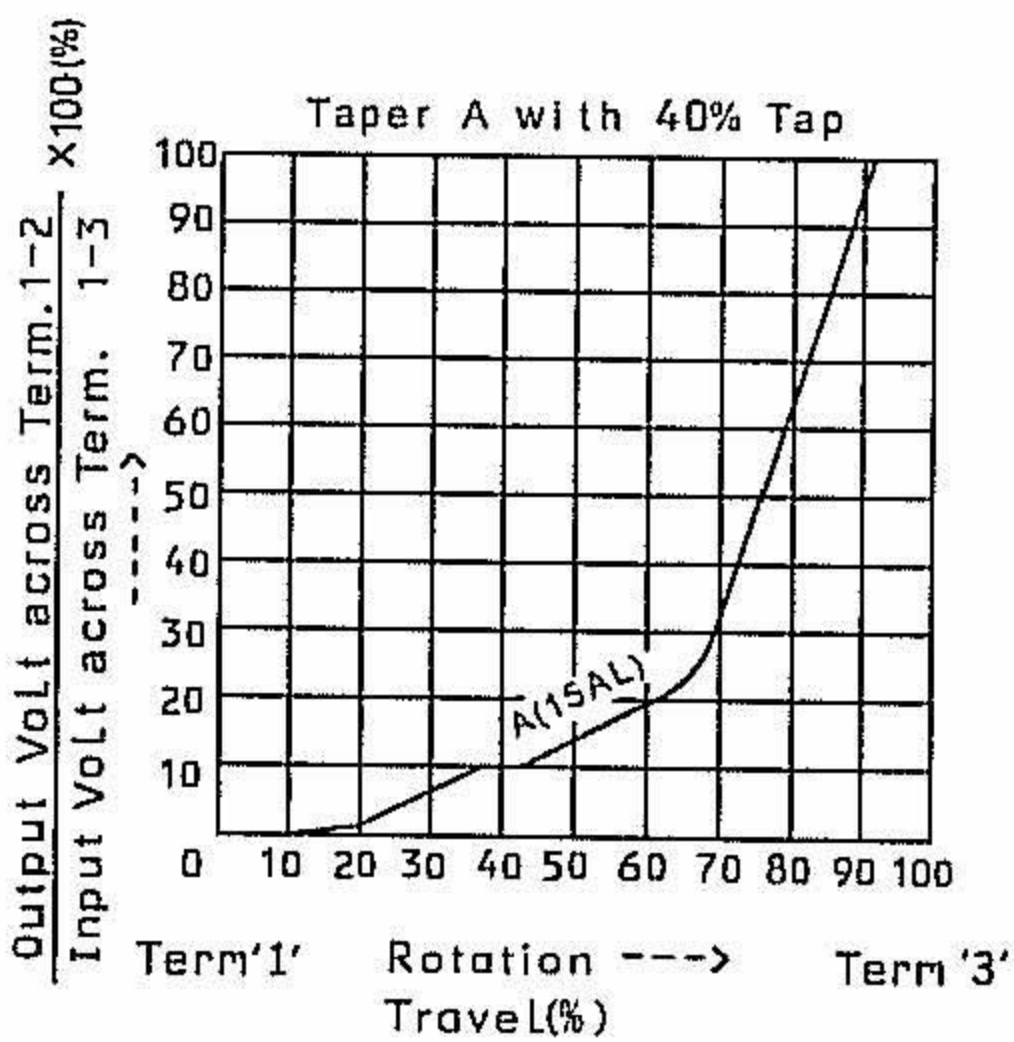
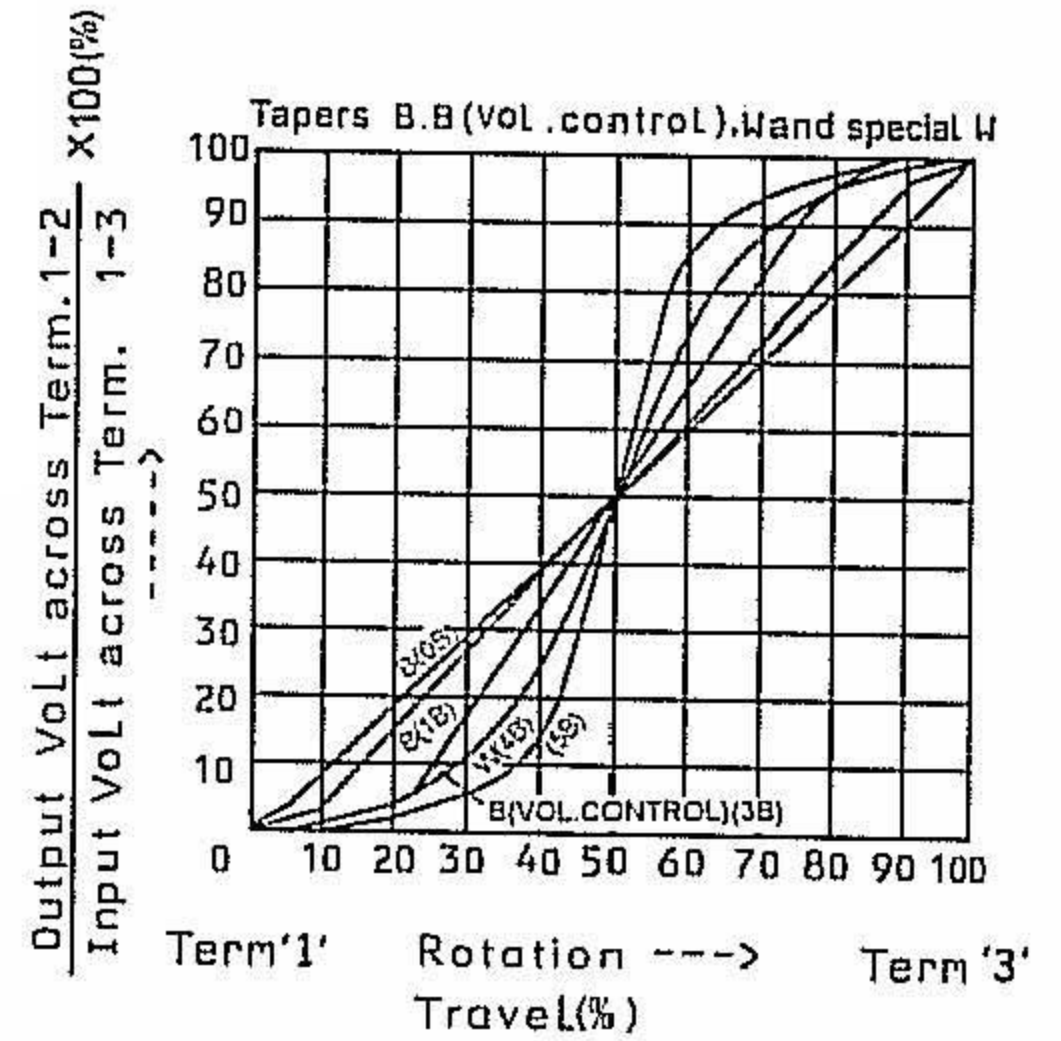
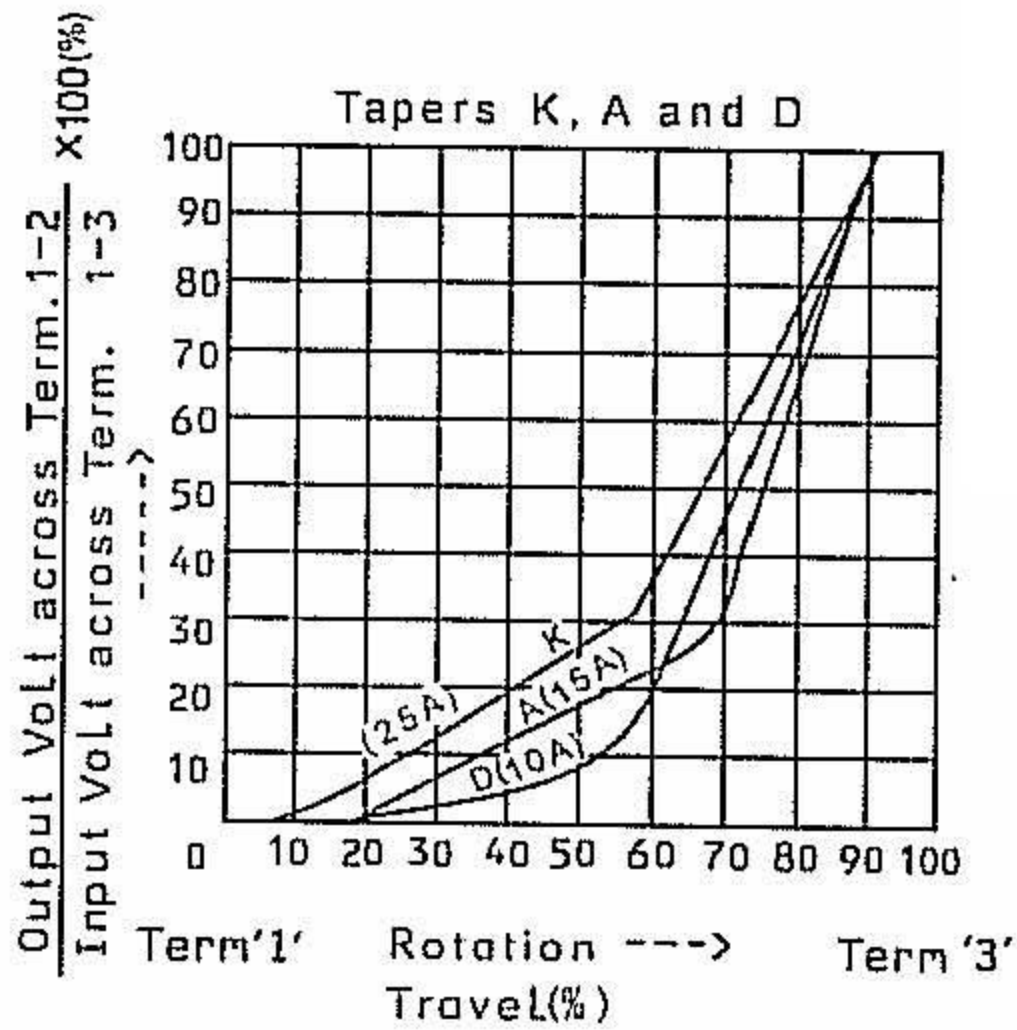
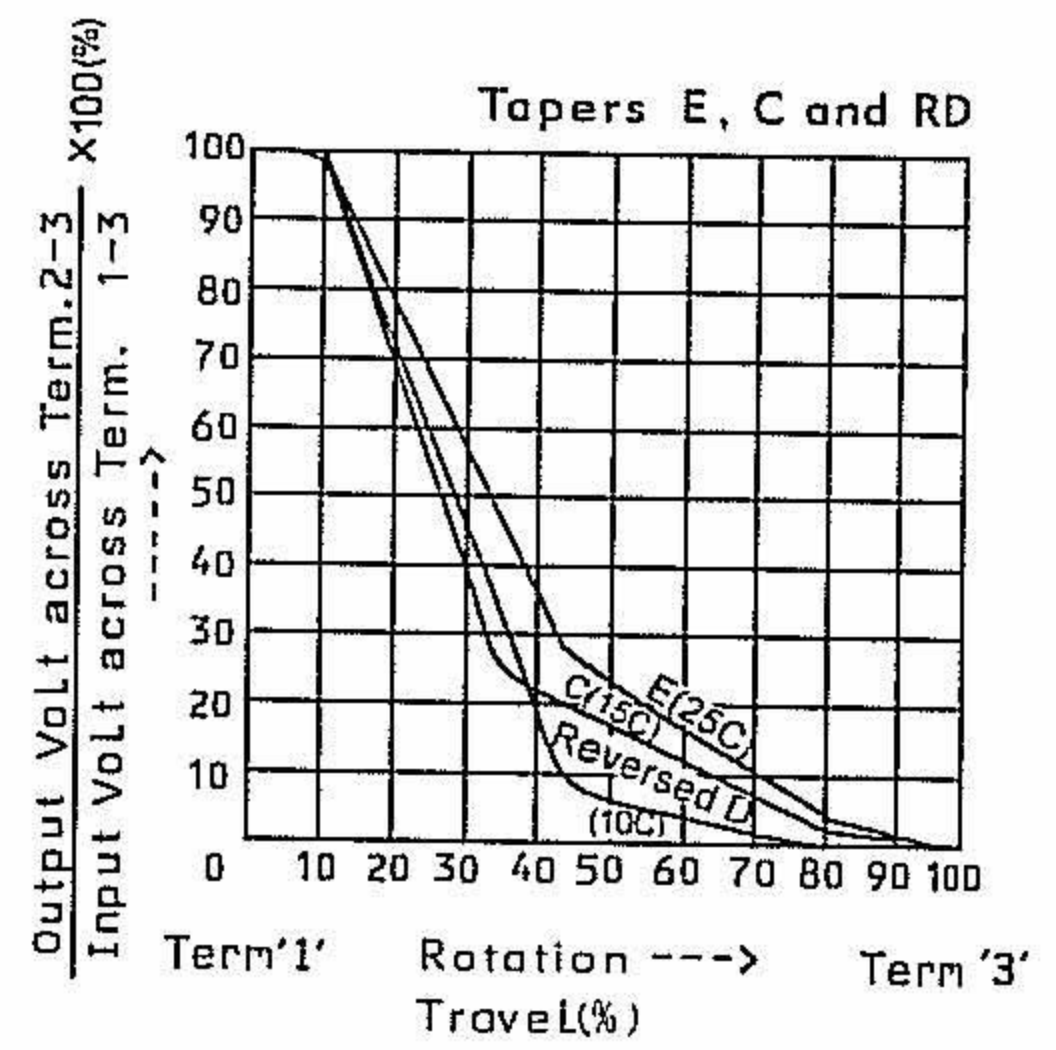
核 準 Approved	審 查 Q.I.Department	經 辦 者 Design Dept.
	康 濤	曾明霞

QR-QC-82/2006.03.15

Electrical Characteristics

Resistance Taper Characteristics

Resistance Taper Characteristic	Test point Rotation (%)	$\frac{V1-2}{V1-3} \times 100$ (%)	$\frac{V2-3}{V1-3} \times 100$ (%)
A	50	10-25	-
B	50	40-60	-
C	50 (Started from 31)	-	10-25
D	50	6-15	-
E	50	-	18-34
W	30 (±5-degree)	5-15	-
	50	40-60	-
	70 (±5-degree)	85-95	-



NOTE: Resistance characteristic of curve N is plotted with respect to terminal '3'