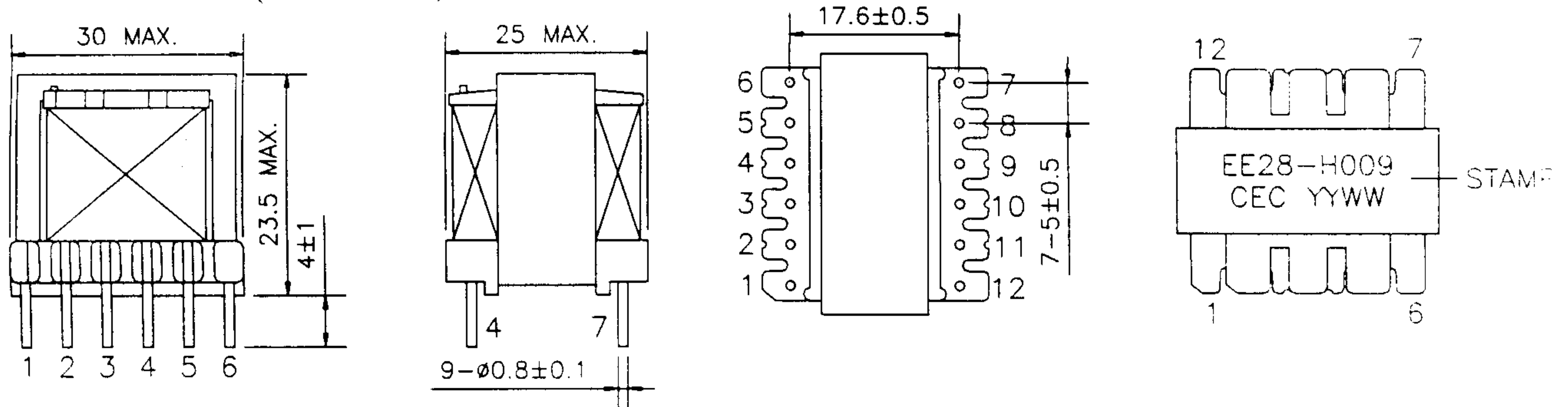


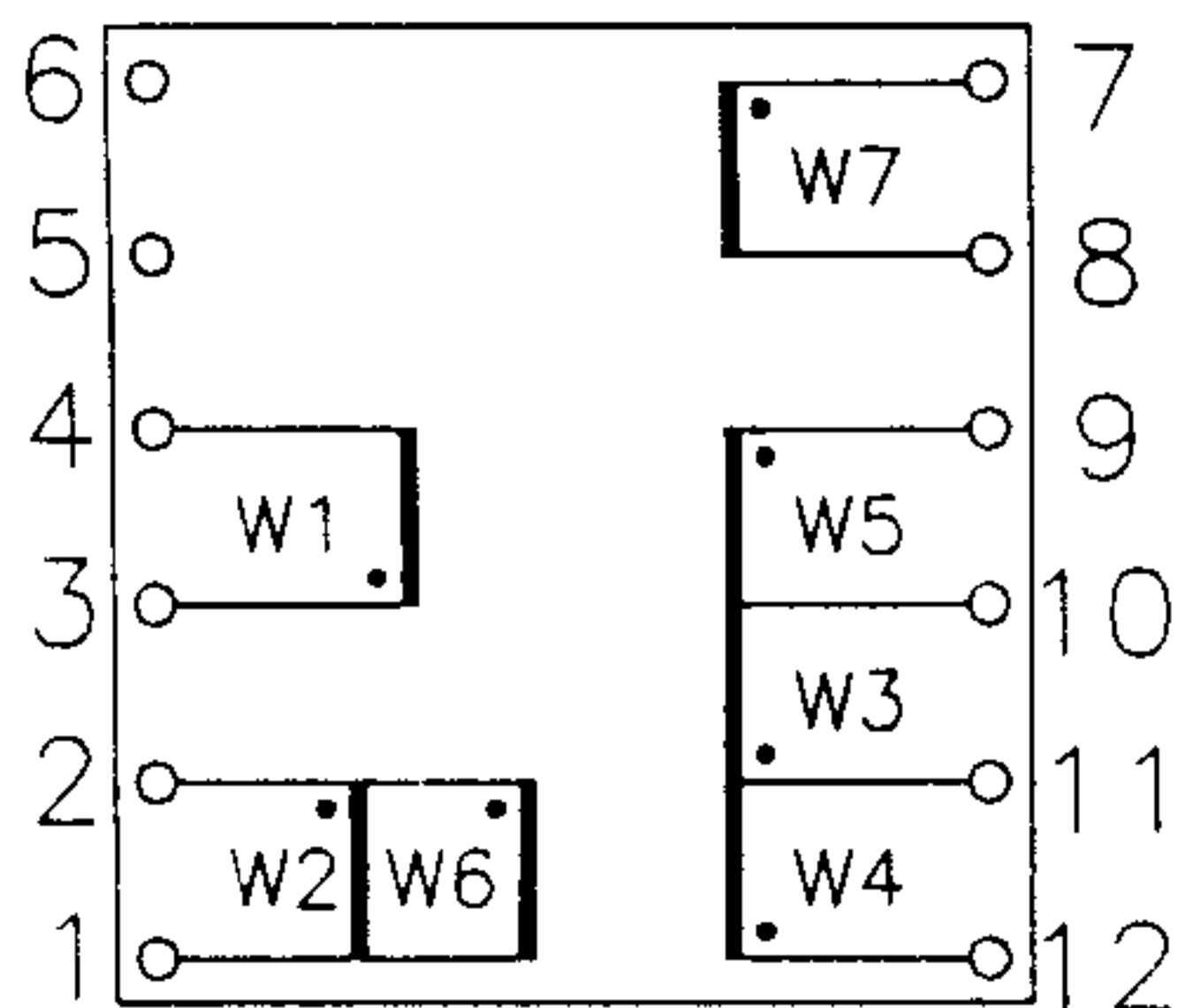
SPECIFICATION

CUSTOMER : PAULITRON	APPROVED BY
CUST. PART NO. :	
COILS PART NO. : EE28-H009	
DATE : 2003/10/8	

1. DIMENSIONS (UNIT : mm)



2. CONNECTION (Bottom View)



3. TURNS, WIRE AND CORE

Terminal	Turns	Wire
3-4	11T	UEW ∅0.35mm
2-1	64T	UEW ∅0.35mm
11-10	18T	UEW ∅0.27mm×2P
12-11	8T	UEW ∅0.27mm
9-10	8T	UEW ∅0.27mm
2-1	64T	UEW ∅0.35mm
7-8	3T	UEW ∅0.27mm×4P
CORE	TP4 or Equivalent	

“●” INDICATE COIL START.

4. CHARACTERISTICS

ITEM	SPEC.	MEASURING CONDITION	MEASURING EQUIPMENT
INDUCTANCE (2-1)	600 μ H \pm 10%	1KHz/1V	HP-4284A or Equivalent
INDUCTANCE (2-4)	823.95 μ H Ref.	1KHz/1V(Short 3,1)	
INDUCTANCE (2-10)	1.19 μ H Ref.	1KHz/1V(Short 1,12)	
INDUCTANCE (2-10)	759.35 μ H Ref.	1KHz/1V(Short 1,9)	
INDUCTANCE (2-8)	657.55 μ H Ref.	1KHz/1V(Short 1,7)	
D.C.R. (3-4)	0.42 Ω MAX.	25 C	Zentech 502A or Equivalent
III-POT COIL TO COIL, COILS TO CORE	AC 1500 1Sec.	50Hz/3mA	Zentech 9053 or Equivalent
INSULATION RESISTANCE COIL TO COIL & COILS TO CORE	300M Ω MIN.	DC 500V	

5. VARNISH TREATMENT:

6. MARKING:

STAMP: EE28-H009 — CEC PART NO.
 CEC YY WW
 — MANUFACTURE WEEK
 — MANUFACTURE YEAR
 — MANUFACTURE NAME

APPROVED BY	CHECKED BY	DESIGNED BY	REVISION	PAGE 1/2