

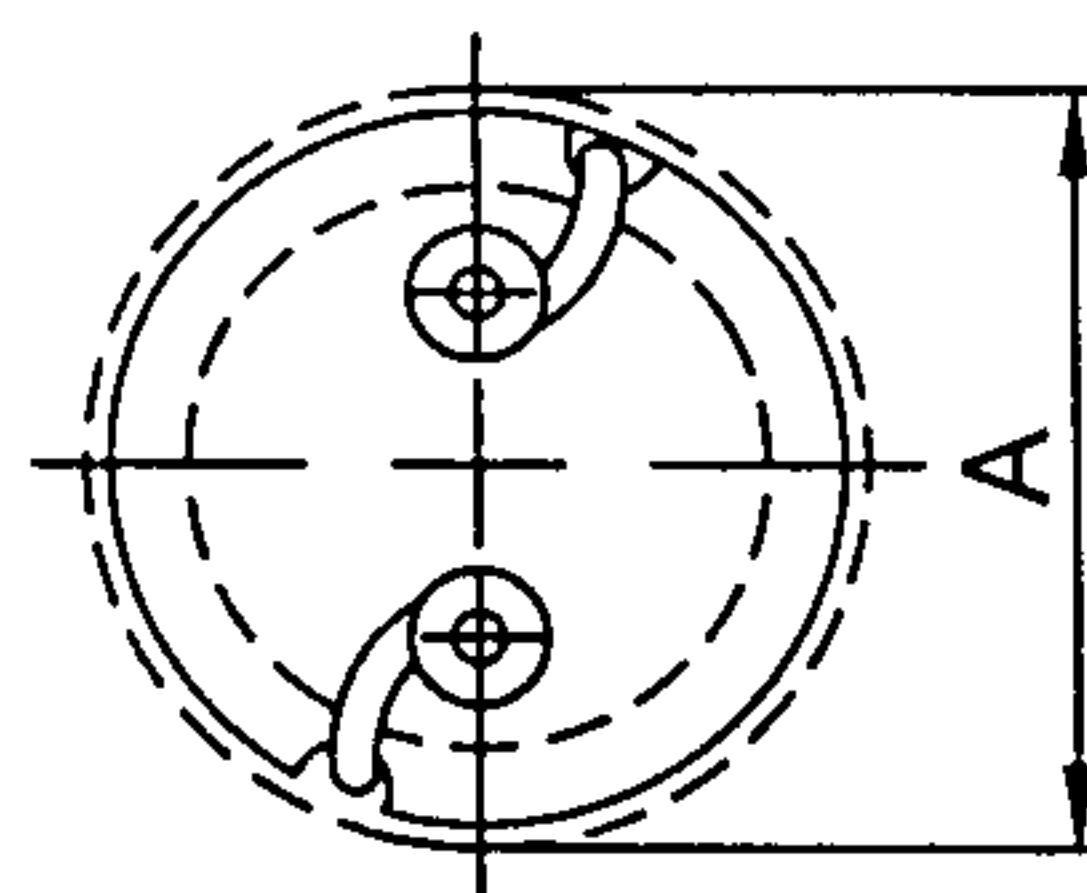
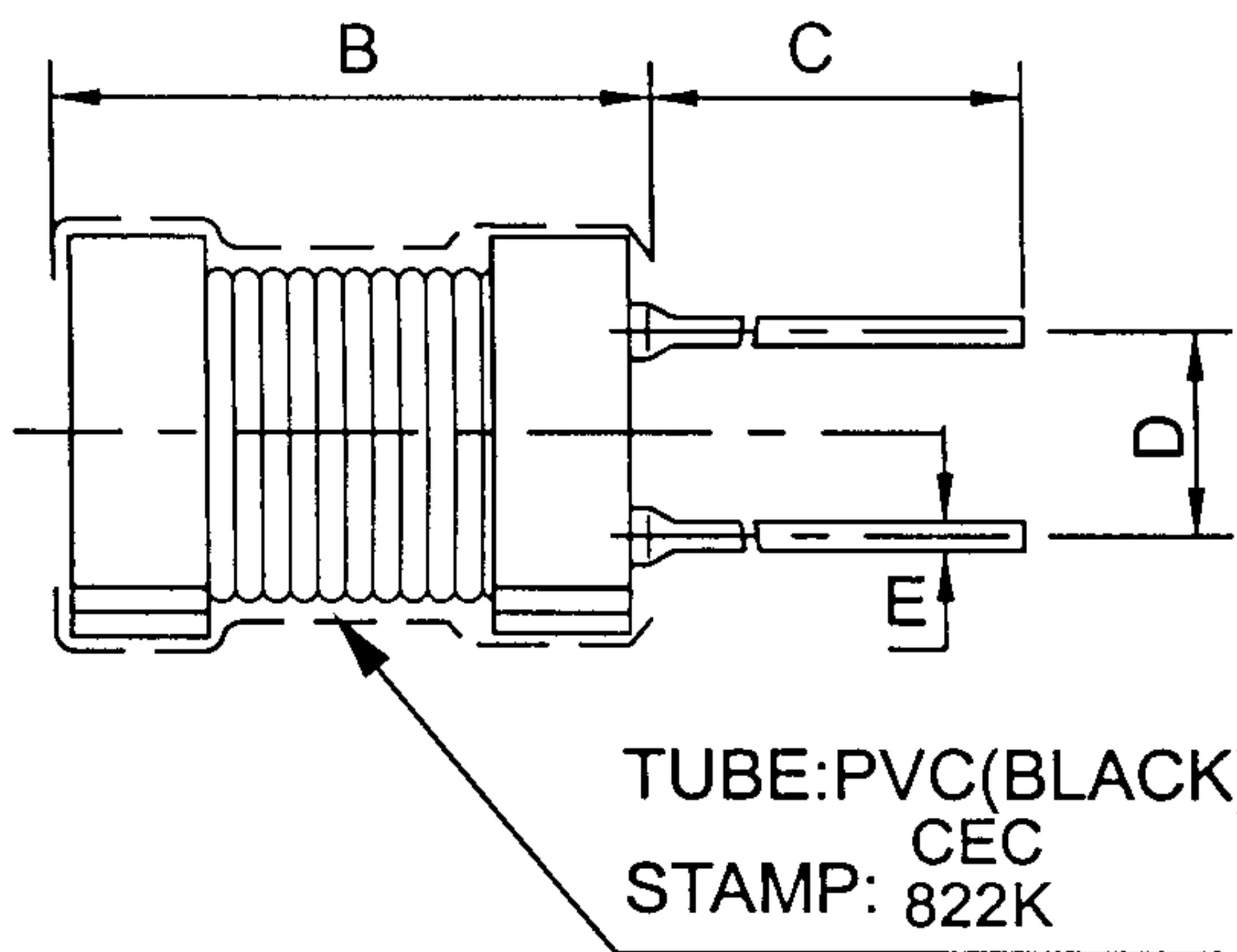
SPECIFICATION

CUSTOMER : PAULITRON	APPROVED BY
CUS. PART NO. :	
COILS PART NO. : CWCE-822K-878148	
DATE : 2004/05/07	

1. MATERIAL , WINDING

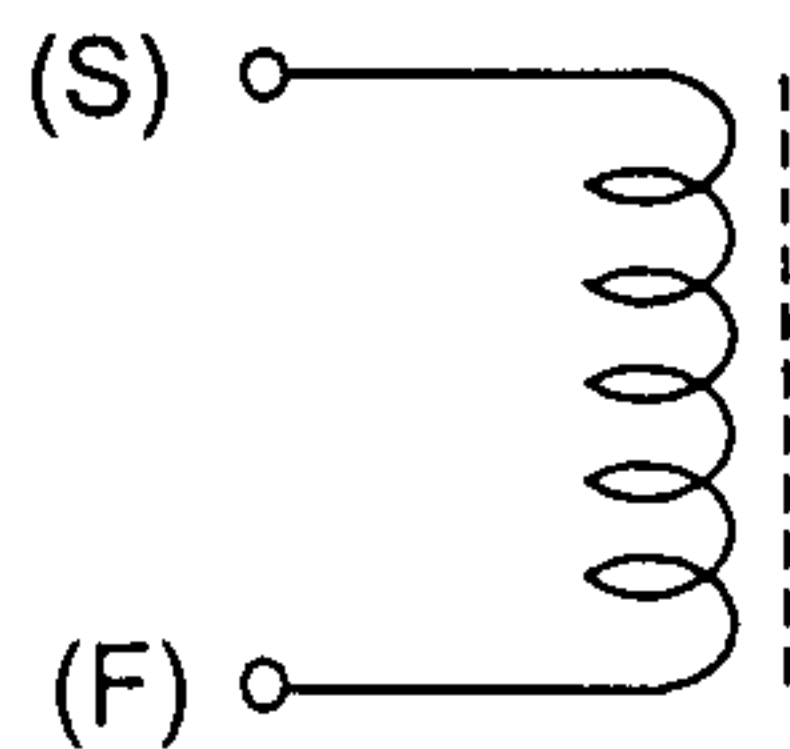
CORE	EL6E (or equivalent)	TUBE	PVC
TURNS	(1-2) 415½T (ref.)	WIRE	Ø0.25mm (2UEW-F OR 2SFBW)

2. DIMENSIONS (UNIT : mm)



A	Ø13.5Max.
B	16.5 Max.
C	15.0±1.0
D	7.5±0.5
E	Ø1.0±0.1

4. CIRCUIT



4. CHARACTERISTICS

ITEM	SPEC. (1-2)	TESTING CONDITION	MEASUREMENT INSTRUMENT
INDUCTANCE	8.2mH±10%	1kHz/1V	HP-4284A
UNLOADED Q	60 Min.	25.2kHz/1V	
RATED CURRENT	0.35A Max.	ΔT=40°C	HP-E3632A HP-34420A
	0.15A Max.	ΔL/L=-10%	HP-4284A HP-42841A
Rdc	4.3Ω Max.	at 25°C	HP-34420A

5. REMARKS

APPROVAL	CHECK	DESIGN	REVISION