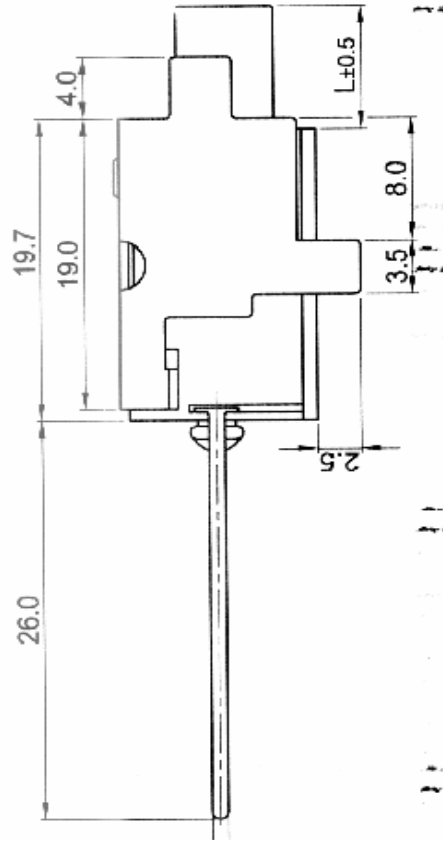
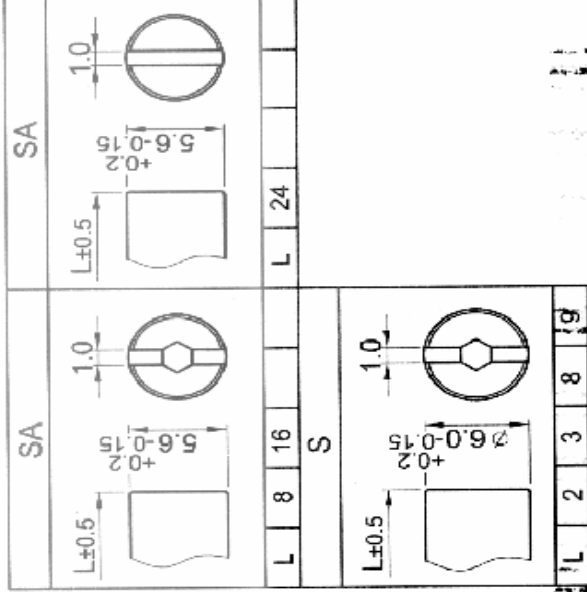


△ SHAFT TYPE:



CODE NO.		MODLE NAME	
PATH : Other/Attenuator/Spec		DRAWING NO.	
TOLERANCES		APPROVED BY	
less than 10	±0.3	Wang	Wang
above 10-30	±0.5	Wen	Zhi
above 30-100	±0.8	JUAN	Yan
angular dimension	±5°	2005.1.29	2005.1.29
Third Angle Projection		SCALE	UNIT
按照樣品重繪圖面		/	m/m
增加軸的形式		RELEASE	C
1.29 Joanne		PAULITRON	
		COMPONENTES	