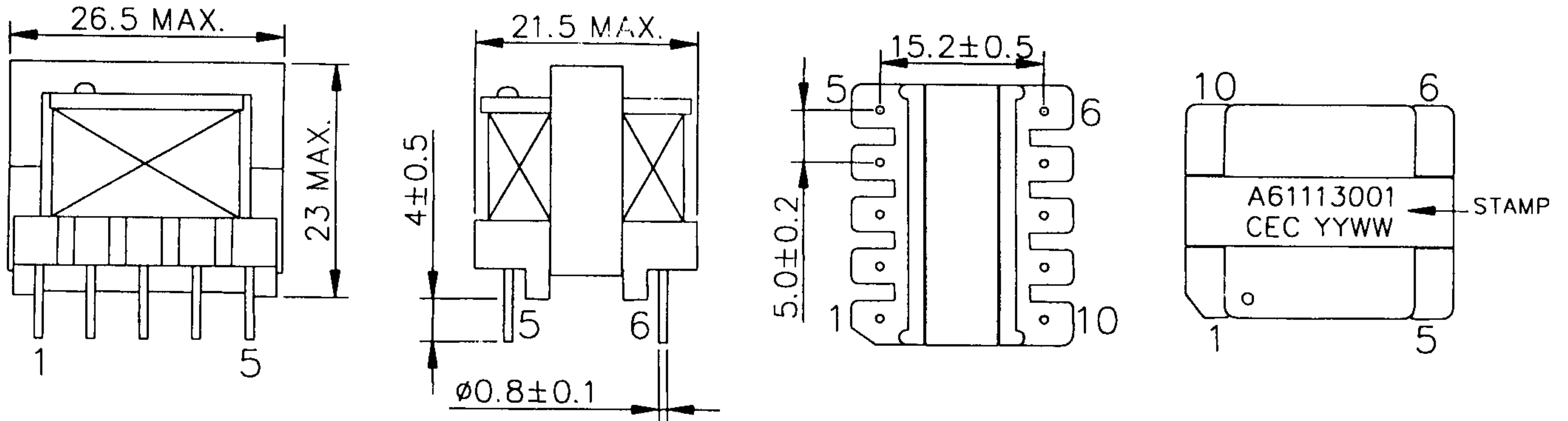


SPECIFICATION

LEAD FREE

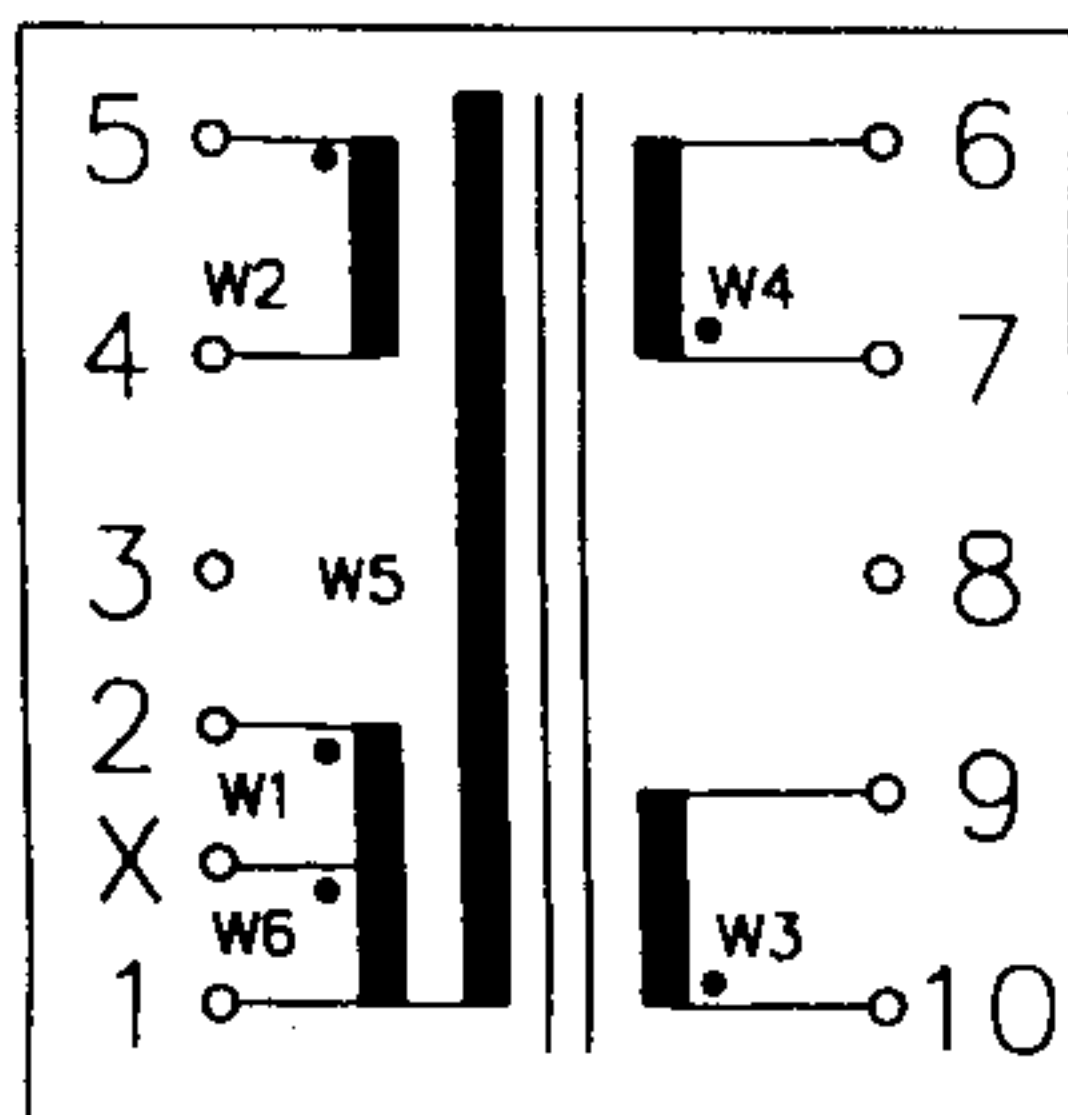
CUSTOMER : PAULITRON <hr/> CUST. P/N : <hr/> CEC P/N : A61113001 <hr/> DATE : 2006/11/13	APPROVED BY
---	-------------

1 · DIMENSIONS (UNIT: mm)



* THE PIN LENGTH DIMENSION IS WITHOUT SOLDERING EDGE.

2 · CONNECTION (Bottom View)



“●” INDICATES WINDING START.

3 · ELECTRICAL CHARACTERISTICS

ITEM	SPEC.	MEASURING CONDITION	MEASURING EQUIPMENT
INDUCTANCE (1-2)	900 μ H \pm 10%	10kHz, 1.0V	HP-4284A or Equivalent
D.C.R. (1-2)	560m Ω MAX.	25 $^{\circ}$ C	HP-34401A or Equivalent
HI-POT (Coil-Core)	AC1800V 2SEC.	50Hz, 2mA	Zentech 9053 or Equivalent

4 · VARNISH TREATMENT.

APPROVED BY	CHECKED BY	DESIGNED BY	REVISION	PAGE: 1/2